



Elektricitiet Paul De Meutter CV  
Industriepark 13B - Zone B  
2220 Heist-op-den-Berg  
BELGIUM

INPUT : 220-240V ~ 50/60Hz CLASS II	
LAMP-HOUSE : GU10-35W(Max.)	
MATERIAL : ALUMINIUM	

### INSTALLATION INSTRUCTION

1. Before installing, make sure the power supply is switched off.
2. Follow the steps as the figure for installation or replacement of bulb

Fig: A. holling.

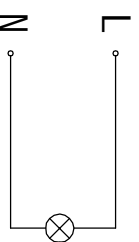
- A. connect the wires to the terminal block.
- B. fix the bulb.
- C. fix the bulb to the body.
- D. insert the body to the ceiling.
- E. After finishing every step, have the fixture fixed, and then connect the power supply.

### CLEANING INSTRUCTION

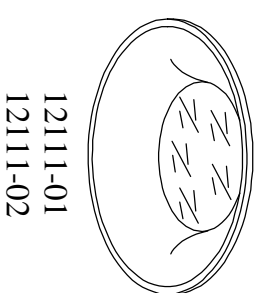
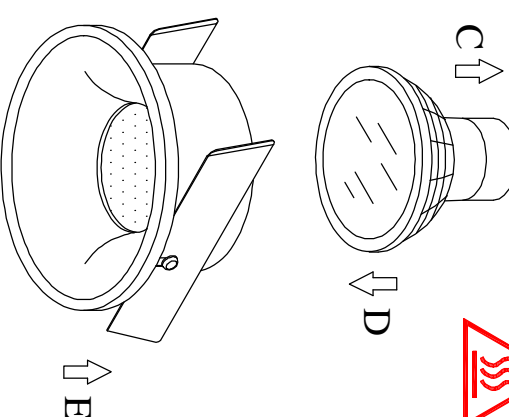
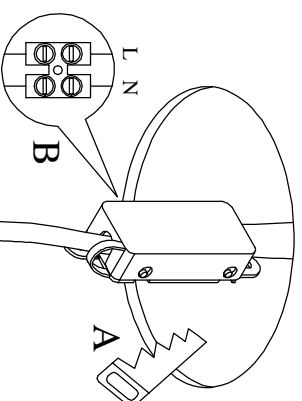
1. Before cleaning, ensure that the power supply is switched off.
2. Use only a soft cloth to clean the lamp, dampened with mild cleanser if needed for resistant dirt.
3. Warning: do not use alcohol or other solvents!

### CAUTION:

While the lamp is working, the surface of it is hot!  
Please do not touch the fixture within an hour after the power supply has been switched off.



HOLE SIZE: ? 46mm



121111-01  
121111-02

CAUTION: WHILE THE LAMP IS WORKING, THE SURFACE OF IT IS VERY HOT, PLEASE DO NOT TOUCH!