

# FLOS

F0011009 White

## Tight Light

Designed by Piero Lissoni, 2011

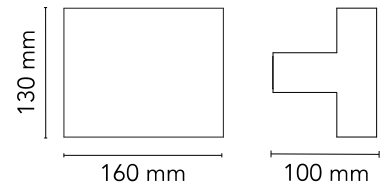


20W - 1989lm - 3000K

Direct/indirect light wall lamp. Body in painted extruded aluminium. Lateral friezes in pressofused aluminium turned up to 45° on digital control for perfect mating with the lamp body. Diffusers in injection printed PMMA with photo-engraved finish. Injection printed wall attachment in PA66. Multi-voltage power pack integrated in the body.

Are you a professional and your project needs consulting and support?

[BOOK AN APPOINTMENT](#)



### Main specifications

EAN	8059607013045
Mounting	Wall
Environments	Indoor dry location
Light Source Type	LED
LED type	LED Module
Power (W)	20
System flux (lm)	1989

### Physical

Colour	White
Length (mm)	100
Net weight (kg)	1
Package height (mm)	160
Package width (mm)	180
Package length (mm)	210
Package volume (m3)	0.01
IP internal	20

### Download

[Mounting instructions](#)  PDF

[Spare Parts](#)  PDF

### Photometric Files

[LDT / IES](#)  LDT

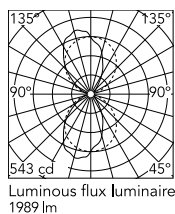
### Technical Drawings

[2D](#)  ZIP

[3D](#)  ZIP



## Schematic light drawing



Beam Angle:

h(m)	E(lx)	D(m)
1	516	1.42
2	129	2.83
3	57	4.25
4	32	5.67
5	21	7.08

## Photometric

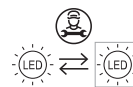
Lighting type	Indirect, Direct
Light distribution	Symmetric
CCT (K)	3000

## Electrical

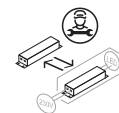
Insulation class	I
Frequency (Hz)	50/60
Main voltage (Vac)	100-240
LED voltage Vf (Vdc)	null
Driver	Integrated
Dimmable	No
Dimming type	Non Dimmable
Dimming interface	Not Dimmable
Batteries inside	No

## Ecodesign and Energy Labelling

This product contains a light source of energy efficiency class **D**

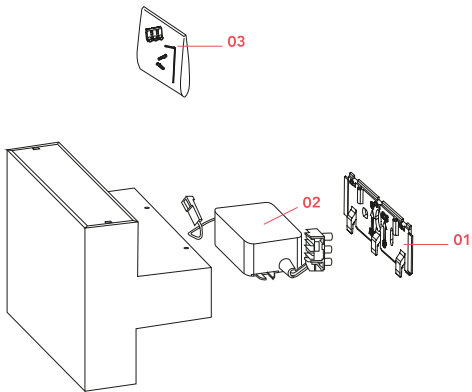


Replaceable (LED only) light source by a professional



Replaceable control gear by a professional

## Spare Parts



- |     |  |           |
|-----|--|-----------|
| 01. | Wall attachment                          | RF21151   |
| 02. | Driver assembly                          | RF0011100 |
| 03. | Kit with locking screws and terminal box | RF0011200 |

**DOWNLOAD**



RF21151

Wall attachment



RF0011100

Driver assembly



RF0011200

Kit with locking screws and  
terminal box