

Fun 8DM

Design by VERNER PANTON

Please read thoroughly before assembly

1

IMPORTANT!

ALWAYS TURN OFF THE ELECTRICAL CURRENT BEFORE
INSTALLING ANY FIXTURE!

BE SURE THAT THE CEILING OUTLET BOX IS MOUNTED SO
THAT IT CAN CARRY THE WEIGHT OF THE ENTIRE LAMP!

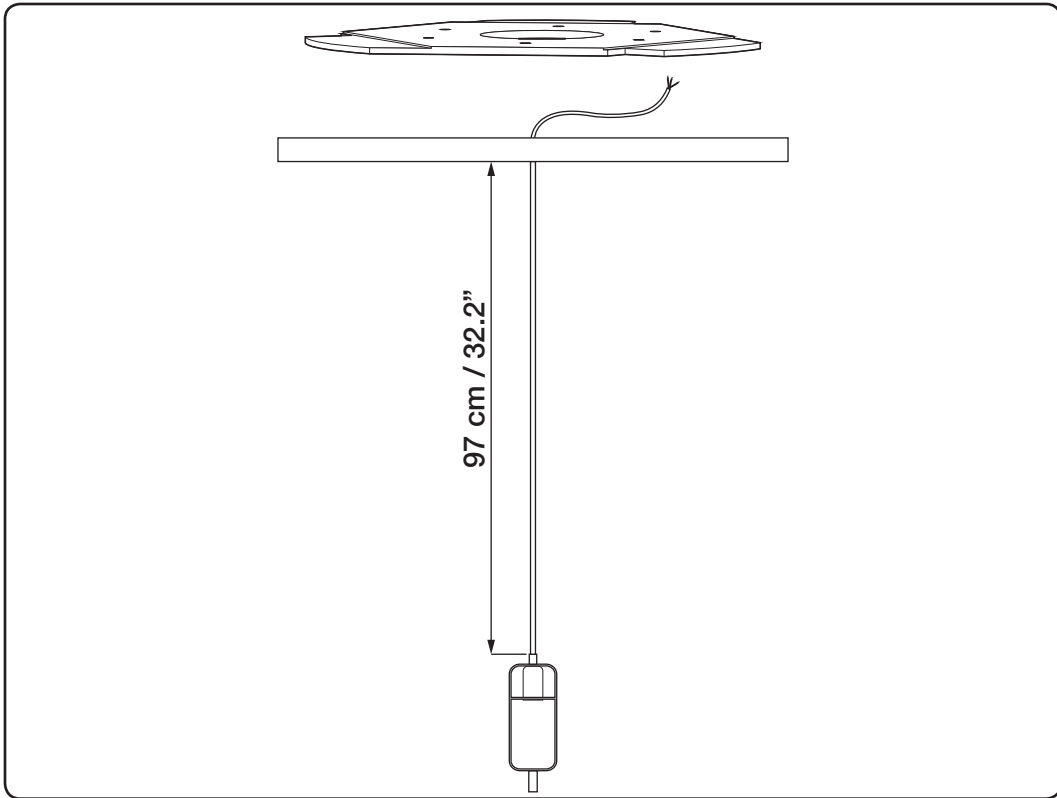
THERE MUST BE NO WEIGHT ON THE ELECTRIC WIRES!

2



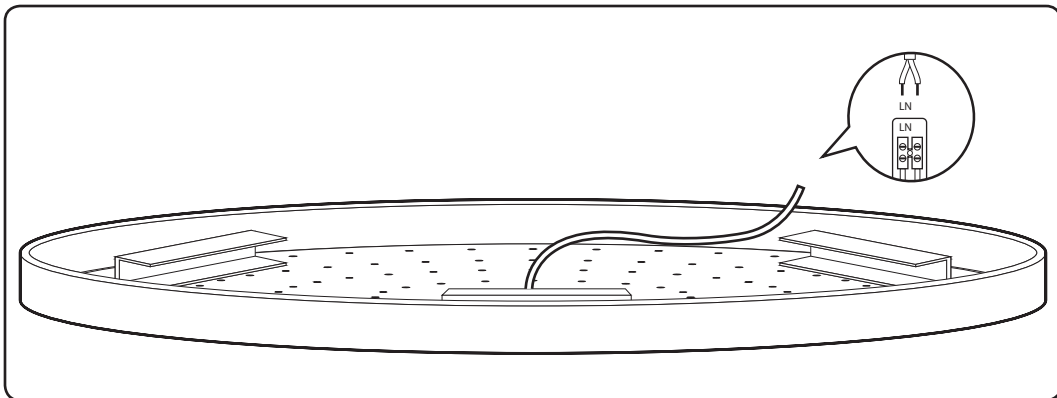
Hang canopy on to ceiling plate, securely installed into ceiling.

3



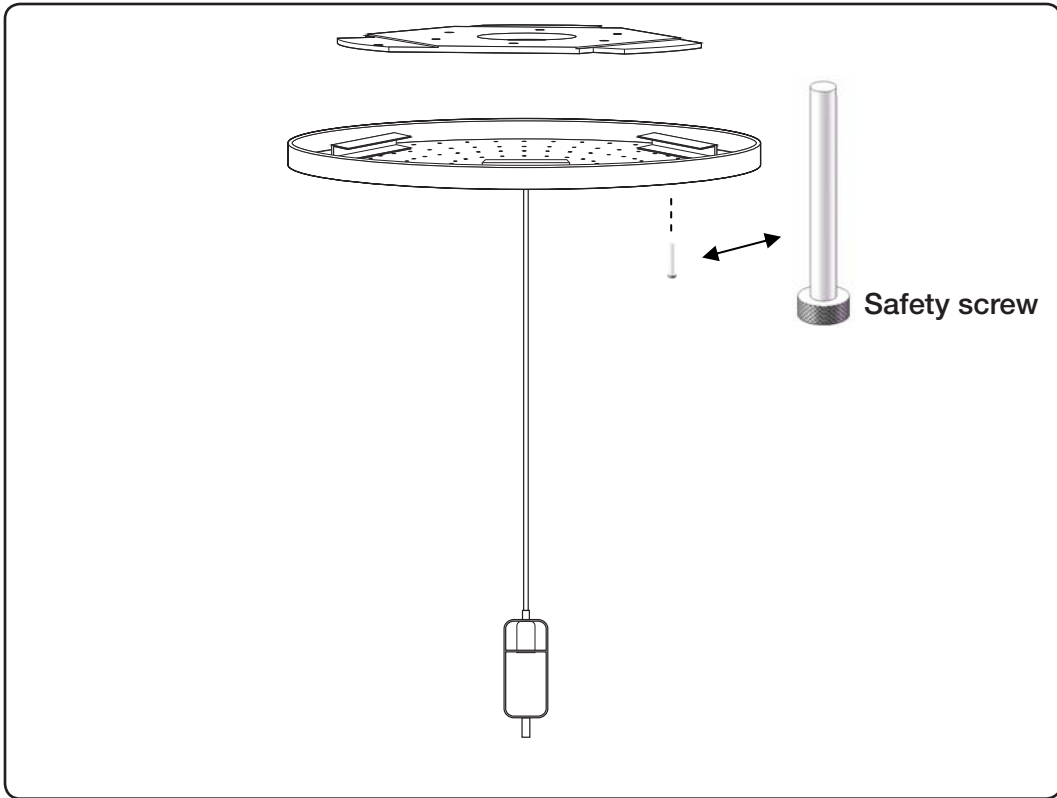
Pull the cord through the hole in the ceiling plate. The cord should measure about 97 cm - measured from the plate to the socket.

4

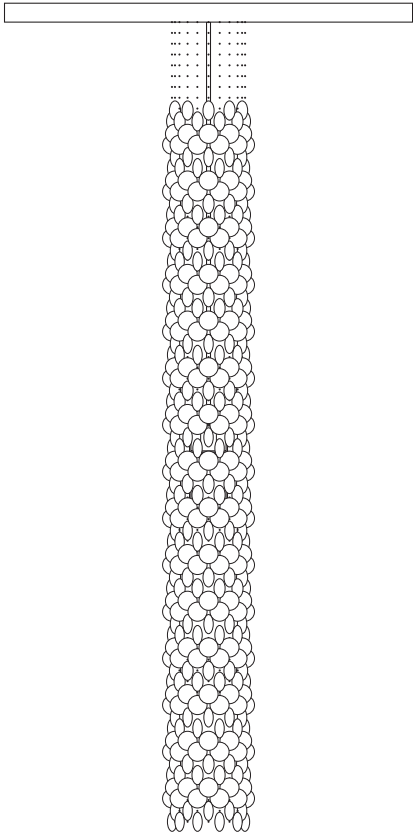
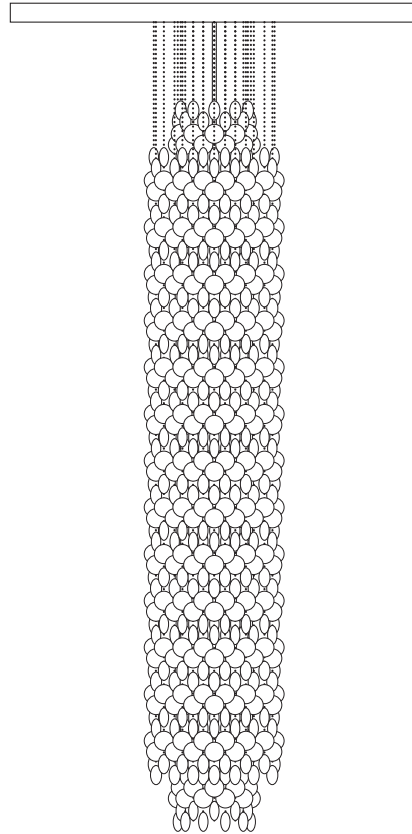


Connect the cord to the outlet in the ceiling.

5



Remember to secure ceiling plate with safety screw to prevent detachment from ceiling plate.

CIRCLE 1 (INNER)**CIRCLE 2****CIRCLE 1 (INNER)**

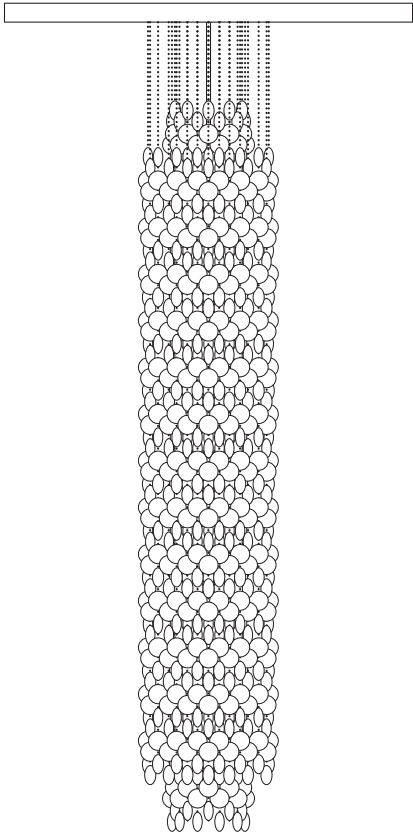
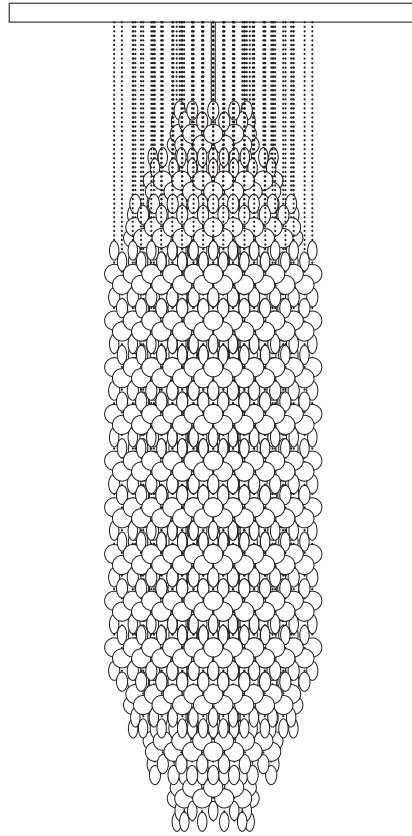
Mount plates from box with 26 sets totally (two boxes). Box is marked "CIRCLE NO. 1 INNER".

Please note:
The chains in the box are not the same length, so it is important that you alternate between the two lengths.

CIRCLE 2

Mount plates from box with 38 sets totally (two boxes). Box is marked "CIRCLE NO. 2".

Please note:
The chains in the box are not the same length, so it is important that you alternate between the two lengths.

CIRCLE 3**CIRCLE 4****CIRCLE 3**

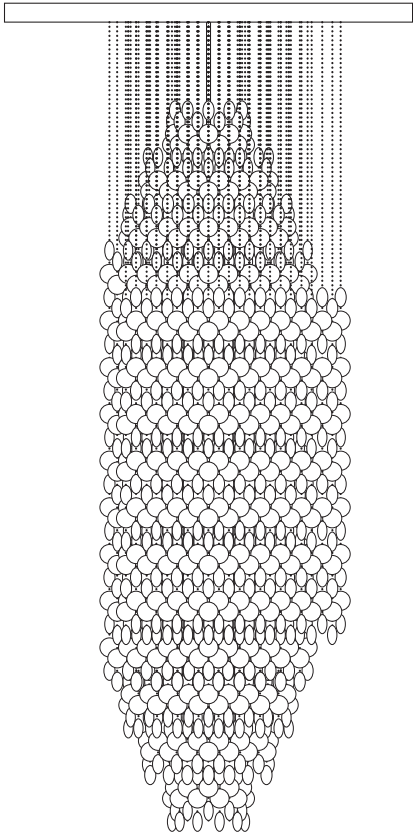
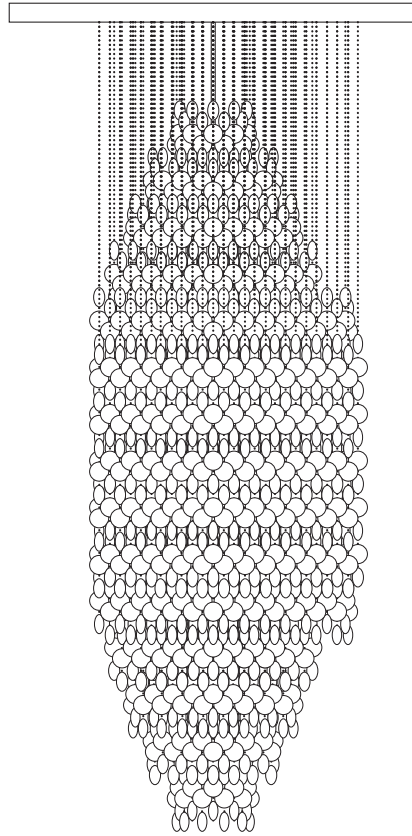
Mount plates from box with 46 sets totally (two boxes). Box is marked "CIRCLE NO. 3".

Please note:
The chains in the box are not the same length, so it is important that you alternate between the two lengths.

CIRCLE 4

Mount plates from box with 54 sets totally (two boxes). Box is marked "CIRCLE NO. 4".

Please note:
The chains in the box are not the same length, so it is important that you alternate between the two lengths.

CIRCLE 5**CIRCLE 6****CIRCLE 5**

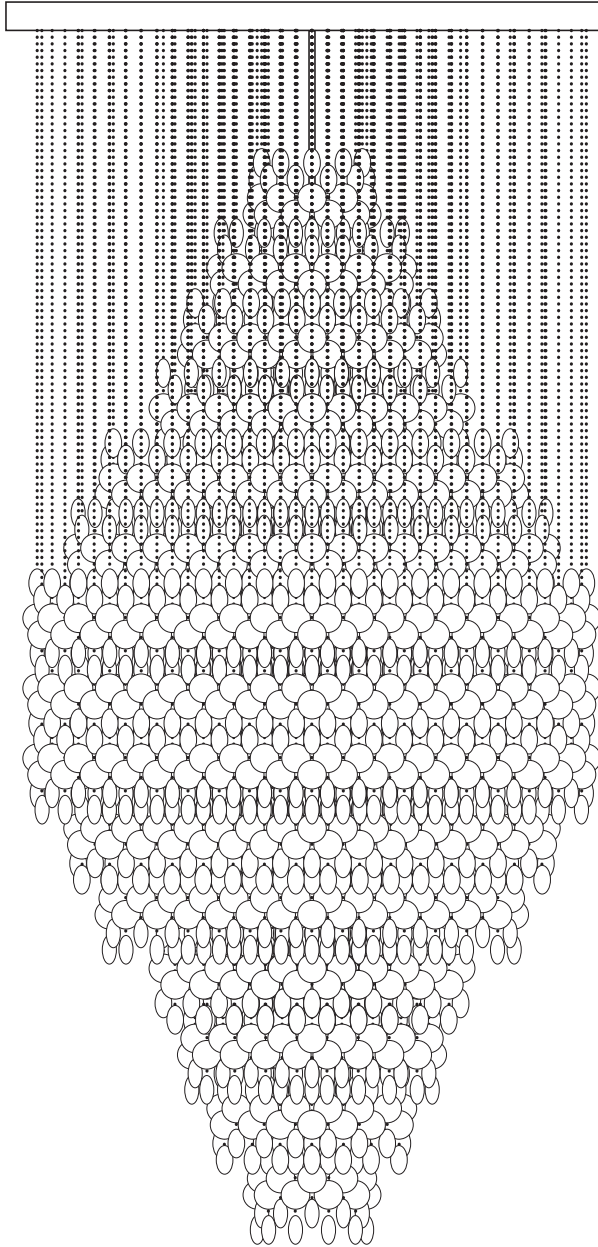
Mount plates from box with 68 sets totally (two boxes). Box is marked "CIRCLE NO. 5".

Please note:
The chains in the box are not the same length, so it is important that you alternate between the two lengths.

CIRCLE 6

Mount plates from box with 86 sets totally (two boxes). Box is marked "CIRCLE NO. 6".

Please note:
The chains in the box are not the same length, so it is important that you alternate between the two lengths.

CIRCLE 7**CIRCLE 7**

Mount plates from box with 98 sets totally (two boxes). Box is marked "CIRCLE NO. 7".

Please note:

The chains in the box are not the same length, so it is important that you alternate between the two lengths.

HOW TO CLEAN:

Clean with a soft cloth, warm water and a mild detergent.
Do NOT use any abrasive materials.

DESIGNED
IN THE PAST
**MADE FOR
TOMORROW**

VERPAN ApS
Egeskovvej 29
8700 Horsens
Denmark

www.verpan.com

info@verpan.com