



**Elektrictest Paul De Meuter CV**  
**Industriepark 13B - Zone B**  
**2220 Heist-op-den-Berg**  
**BELGIUM**

INPUT: 220-240V ~ 50/60Hz CLASS I	IP55			
LAMP-HOUSE: G9-40W (Max.)	0.5m			
MATERIAL: ALUMINIUM				

### INSTALLATION INSTRUCTION

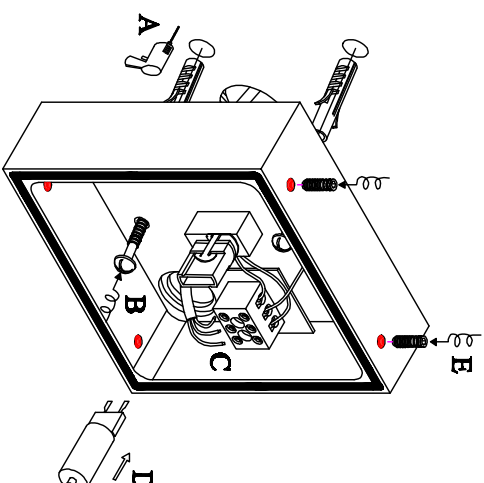
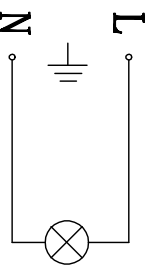
1. Before installing, make sure the power supply is switched off.
2. Follow the steps as the figure for installation or replacement of bulb  
Step:
  - A. holding and pull out the wires.
  - B. fix the base plate to the wall with screws.
  - C. connect the wires to the terminal block.
  - D. insert the bulb to the lamp holder.
  - E. Fix the lamp shade to the base plate.
3. After finishing every step, tighten the screws, have the fixture fixed, and then connect the power supply.

### CLEANING INSTRUCTION

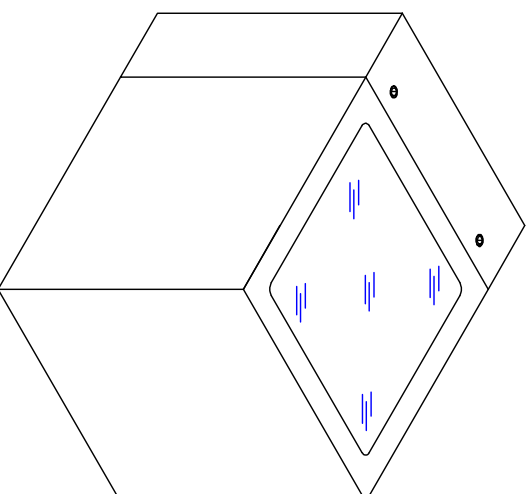
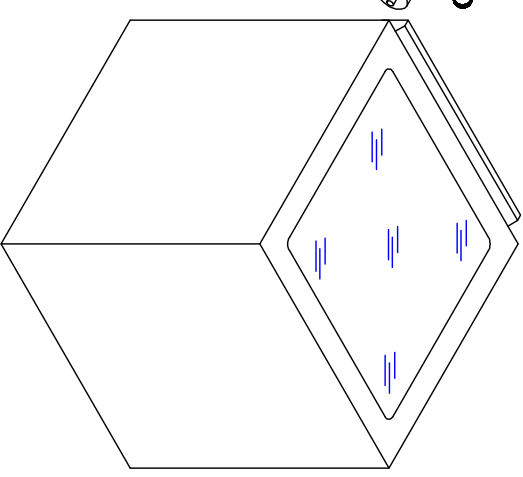
1. Before cleaning, ensure that the power supply is switched off.
2. Use only a soft cloth to clean the lamp, dampened with mild cleanser if needed for resistant dirt.
3. Warning: do not use alcohol or other solvents!

### CAUTION:

While the lamp is working, the surface of it is hot!  
Please do not touch the fixture within an hour after the power supply has been switched off.



**CAUTION: WHILE THE LAMP IS WORKING, THE SURFACE OF IT IS VERY HOT, PLEASE DO NOT TOUCH!**



12055-04