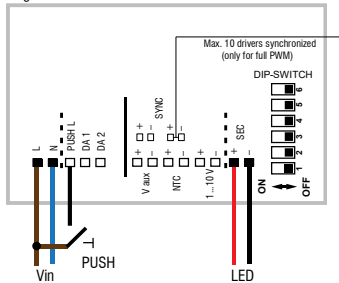


# LED Gear 250-700mA 30-50W 1-10/PD/DALI

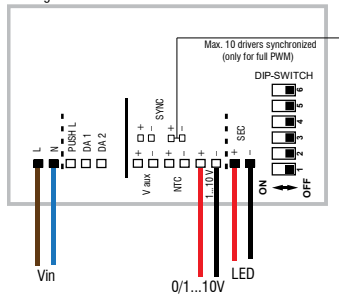
12407830



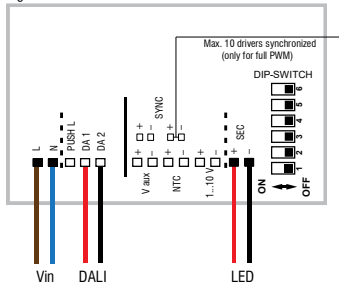
PUSH diagram



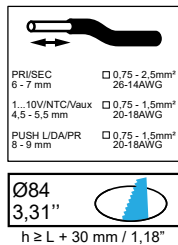
0/1...10V diagram



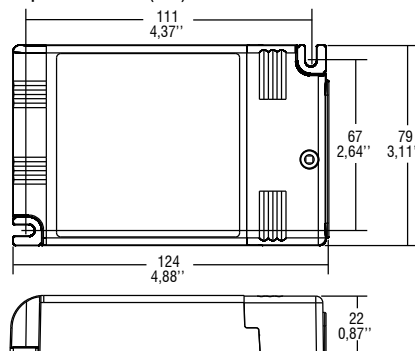
DALI diagram



<b>350mA</b>	39W (39W <sup>(2)</sup> )	20-112Vdc	ON OFF	1 2 3 4 5 6
<b>500mA</b>	56W (40W <sup>(2)</sup> )	2-112Vdc	ON OFF	1 2 3 4 5 6
<b>700mA</b>	60W (40W <sup>(2)</sup> )	2-86Vdc	ON OFF	1 2 3 4 5 6



Compatible with ZHAGA (AM3)



## Operating Mode

- Light regulation 0/0,5 - 100% by means of PUSH function, 0/1...10V interface (I=1mA) or 100 Kohm potentiometer and DALI
- Features DALI dimming:
  - memory function for sets or light groups
  - recall of stored functions
  - compatible with standard DALI interfaces
- DALI-2 approved
- Features PUSH dimming: (mains voltage)
  - a short push to turn on and off
  - a longer push to increase or decrease light intensity
  - regulation automatically stops at minimum or maximum values
  - for another on regulation or off command, release the push button and give the desired command again
- Possibility to use PUSH function to 4/5 drivers without sync cable
- Maximum length of the cable, from the push button to last driver, must be max. 15 m / 49 ft. In case of application where the cable is longer keep this separate from the 110-240 Volt mains cable.
- ATTENTION: only use normally open push buttons with no incorporated warning light
- Specific dimming terminal connection with a 0/1...10Vdc electronic potentiometer (0/1...10V local dimming, double insulation required for external connection).
- Max. 10 drivers synchronization is possible, command only one driver (1 master + 9 slaves) - synchronization cable 4m is separately supplied (12400100) Only for full PWM dimming.
- PUSH re-synchronization: when the drivers are switched on, press the PUSH key for more than 1 second (long PUSH) followed with a short push (<1s). now the devices are switched off, do a long PUSH, the system will now be resynchronized.
- Short circuit 1...10V port for at least 5 seconds to reset the device to ON/OFF & 1...10V modes
- Connect PR terminal to ground to prevent glowing
- Default dimming AM+PWM: 1-25% PWM 2kHz + 25-100% AM (no sync)
- Full PWM dimming (240Hz 1-100%) available by short circuit of NTC port during switch on of the driver. Same operation to reset to AM+PWM

## Rated Voltage

110 ÷ 127 V<sup>(2)</sup>  
220 ÷ 240 V

## Frequency

50...60 Hz

## AC Operation range

99 ÷ 264 V

## DC Operation range

DC 170 ÷ 276 V  
(NO PUSH mode function)

## Power

3 ÷ 60 W

## Temperature

Tc = 90°C  
Ta = -25...+50°C

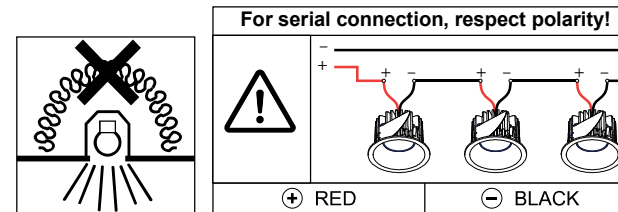
## max. Efficiency

> 92<sup>(1)</sup>

## Maximum current output ripple

≤ 3%<sup>(1)</sup>

(1) Referred to  $V_{in} = 230V$ , 100% load  
(2) Rated Voltage 110 ÷ 127 V



CAN BE USED WITH  
Fixtures:  
see driver matrix - latest version on website  
[www.supermodular.com](http://www.supermodular.com) or check sales contact

