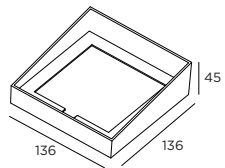


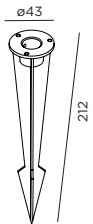
# X-BEAM

INSTALLATION INSTRUCTIONS | MARCH 2022

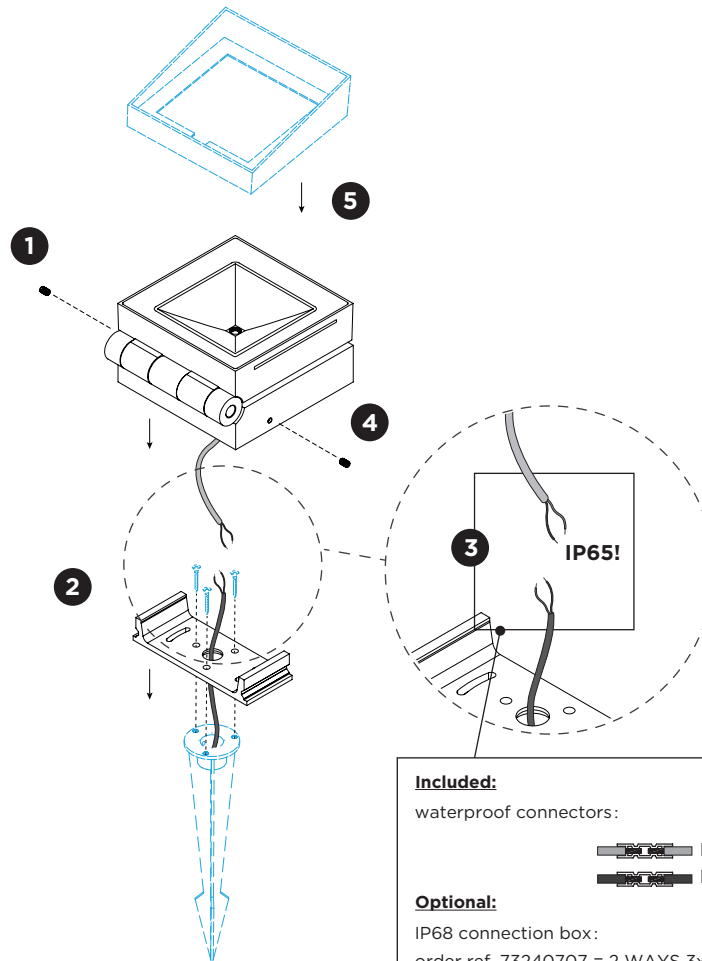
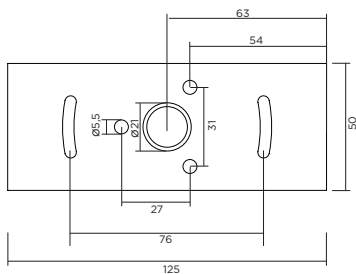
snoot dimensions - optional



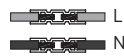
groundspike dimensions - optional



base plate dimensions

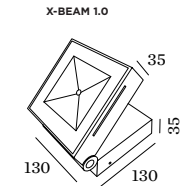


**Included:**  
waterproof connectors:



**Optional:**  
IP68 connection box:  
order ref. 73240707 = 2 WAYS 3x1,5 Ø8-10mm

## DIMENSIONS



## MOUNTING INSTRUCTION

- 1 Remove the base plate by loosening the side screws.
- 2 Fix the base plate to the ground or wall with screws (screws are not included).

### OPTIONAL

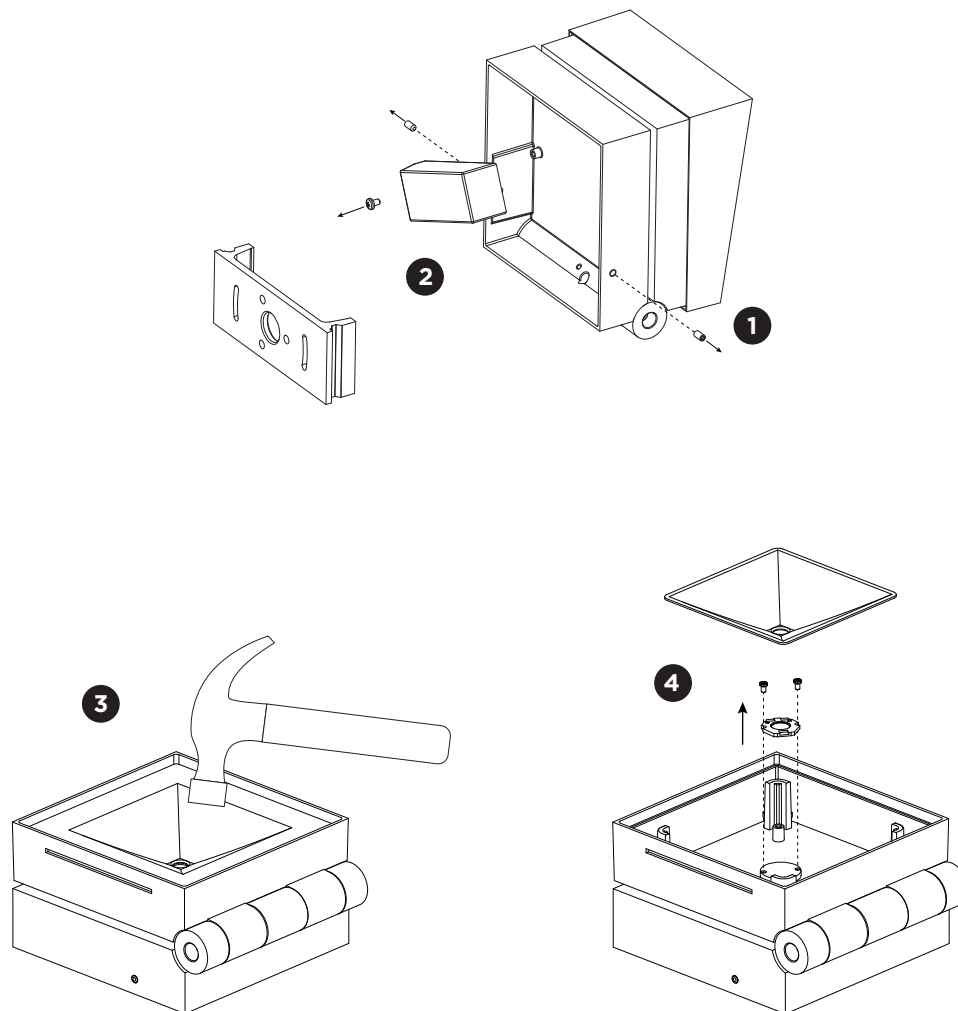
Fix the base plate to the groundspike with screws (screws are included).

## POWER CONNECTION

- 3 Connect the wires with the waterproof connectors. Connect to 220-240V. Please see the detail method in the separate instruction sheet.
- 4 Fix the fixture to the base plate with the side screws.
- 5 **OPTIONAL**  
Click the snoot on the X-BEAM.

# X-BEAM

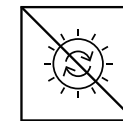
INSTALLATION INSTRUCTIONS | MARCH 2022



## DISMOUNTING INSTRUCTION

### Driver

- 1 Loosen the side screws and remove the luminaire housing from the mounting base.
- 2 Loosen the screw and cut the wires to remove the driver.
- 3 Break the glass.
- 4 Take out the reflector and unscrew the LED.



The light source is not replaceable.



The driver can be replaced by the end user.



This luminaire contains a light source with the energy class E.