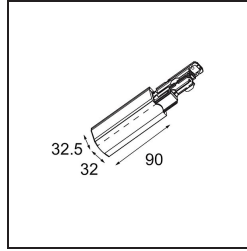
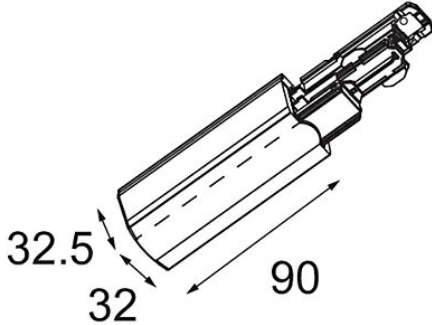


Date _____
Customer _____
Project _____
Type _____

Track power feed left dali black



Specifications

Material	14210602
Lamp Included	No
Number of Light Sources	0
Input Voltage	230V
Electrical Class	I
IP Rating	20
Glow wire rating (°C)	960
Dimming Protocol	DALI
Indoor/Outdoor	Indoor
Adjustability	Not Applicable
Primary Colour & Primary Finish	Black,
Gross weight (g)	83.0