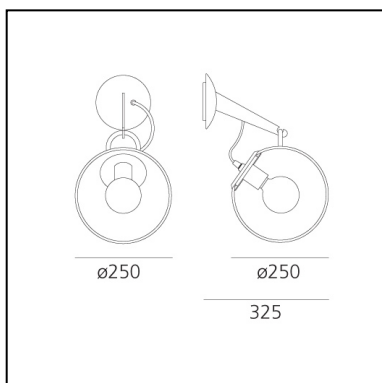


# Miconos Wall - Polished chrome

Ernesto Gismondi



IP20     Dimmerable: +  -



## LUMINAIRE

- Watt: **7,5W**
- Voltage: **220V-240V**
- Delivered lumen output: **951lm**
- Efficiency: **90%**
- Efficacy: **135.88lm/W**
- CRI: **80**

## DESCRIPTION

The functional and balanced composition of the frame supports the transparent diffuser, emphasising the light source and turning it into an ever stylish and topical icon thanks to its simple beauty.

## FEATURES

- Product Code: **A020100**
- Colour: **Polished chrome**
- Installation: **Wall**
- Material: **Brass and steel frame, blown plate-glass diffuser**
- Series: **Design Collection**
- Environment: **Indoor**
- Area contract: **All projects**
- Emission: **Diffused And Direct**
- design by: **Ernesto Gismondi**

## DIMENSIONS

- Diameter: **250 mm**
- Depth: **325 mm**

## NOT INCLUDED SOURCES

- Category: **FLUO**
- Number: **1**
- Lbs: **G90**
- Watt: **20W**
- Socket: **E27**
- Color Rendering: **1b**
- Color temperature (K): **2700K**
- Duration (h): **12000h**

## ALTERNATIVE SOURCES

- Category: **LED RETROFIT**
- Number: **1**
- Watt: **12W**
- Delivered lumen output: **1000lm**
- Socket: **E27**