

# Calle, Perennial *Elegance.*


design Luca Martorano+Mattia Albicini  
terzani.com



**Type |**  
Pendant

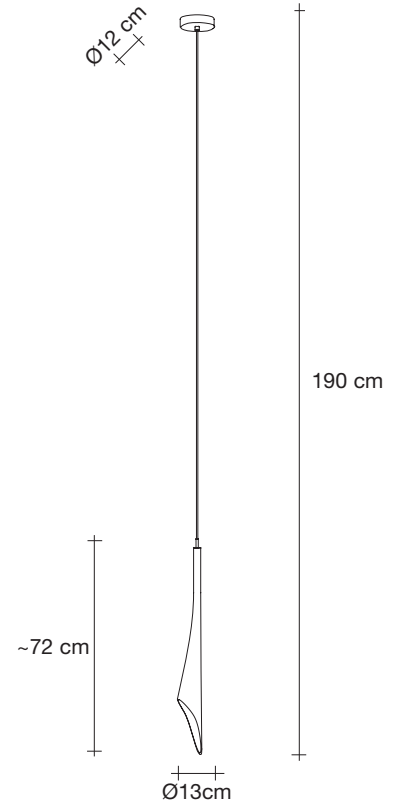
**Materials |**  
Clear crystal (24% lead)

**Finishes | Code**

 Clear  
OT01S E8 A9

White canopy

Body |



**Light Source |**  
230-240V ~ 50/60Hz




HALOGEN  
20W G4 12V

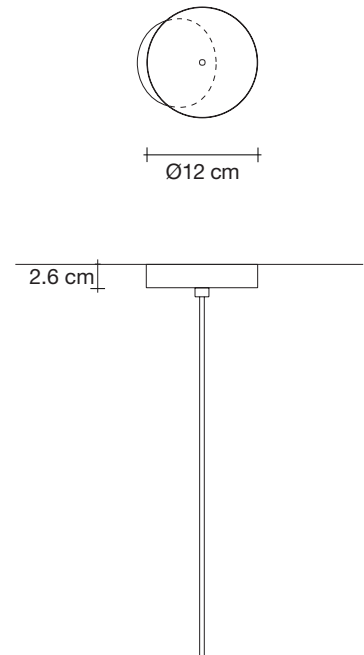
or  
on request



LED  
2W G4 12V

 Dimmable with IGBT  
Dali system on request

Canopy |



At Terzani, we spend countless days searching the globe for talented new designers, but sometimes they find us. Such is the case with the young designers Luca Martorano and Mattia Albicini who approached us with the design for Calle, a fantastic new light we instantly fell in love with. It showcases our skill at crafting crystal to take the material to an exciting, modern place. Luca and Mattia worked with our craftsmen to create a slender inverted flute of 24% lead crystal that, like the calla lily it mimics, can be grouped into stunning bouquets of light. Design Luca Martorano and Mattia Albicini.



83cm x 25cm x 26cm

# Calle, Perennial *Elegance.*


design Luca Martorano+Mattia Albicini  
terzani.com



**Type |**  
Pendant

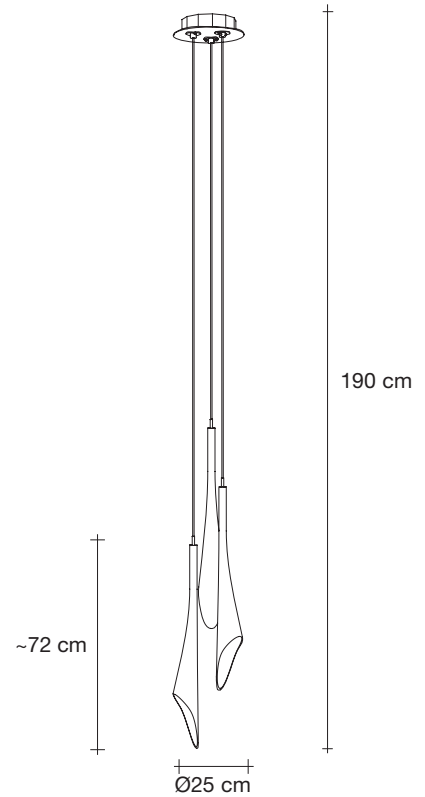
**Materials |**  
Clear crystal (24% lead)

**Finishes | Code**

 Clear  
OT03S E8 A9

White canopy

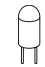
Body |




**Light Source |**  
230-240V ~ 50/60Hz

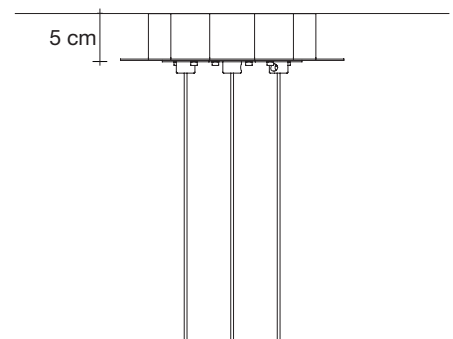
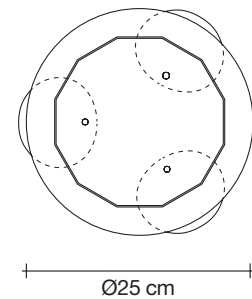
 HALOGEN  
3 x 20W G4 12V

or  
on request

 LED  
3 x 2W G4 12V

 Dimmable with  
IGBT and TRIAC  
Dali system on request

Canopy |



At Terzani, we spend countless days searching the globe for talented new designers, but sometimes they find us. Such is the case with the young designers Luca Martorano and Mattia Albicini who approached us with the design for Calle, a fantastic new light we instantly fell in love with. It showcases our skill at crafting crystal to take the material to an exciting, modern place. Luca and Mattia worked with our craftsmen to create a slender inverted flute of 24% lead crystal that, like the calla lily it mimics, can be grouped into stunning bouquets of light. Design Luca Martorano and Mattia Albicini.



# Calle, Perennial *Elegance.*

design Luca Martorano+Mattia Albicini  
terzani.com

**TERZANI**  
LA LUCE PENSATA



**Type |**  
Pendant

**Materials |**  
Clear crystal (24% lead)

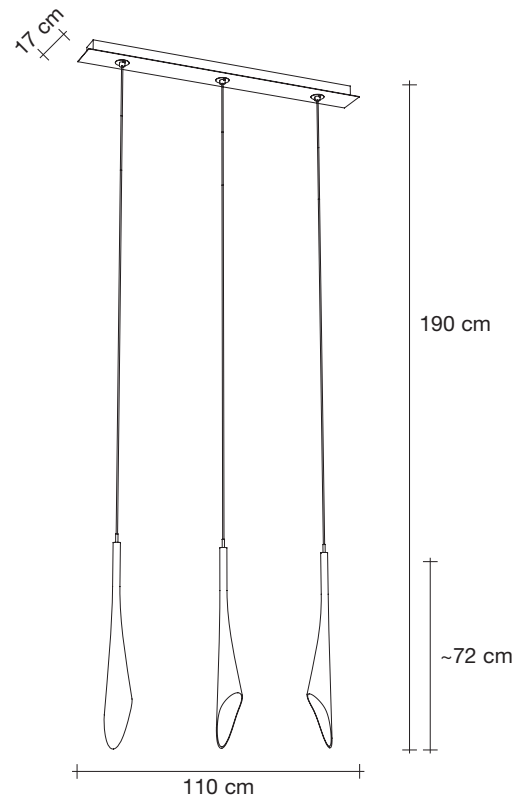
**Finishes | Code**



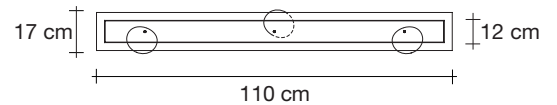
Clear  
OT03S E8 A9 R

White canopy

Body |



Canopy |



**Light Source |**  
230-240V ~ 50/60Hz



HALOGEN  
3 x 20W G4 12V

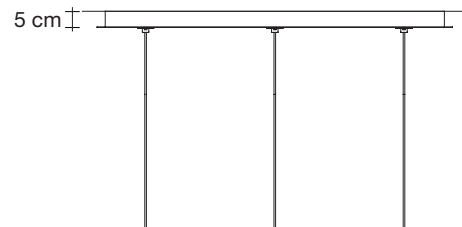
or  
on request



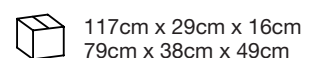
LED  
3 x 2W G4 12V



Dimmable with  
IGBT and TRIAC  
Dali system on request



At Terzani, we spend countless days searching the globe for talented new designers, but sometimes they find us. Such is the case with the young designers Luca Martorano and Mattia Albicini who approached us with the design for Calle, a fantastic new light we instantly fell in love with. It showcases our skill at crafting crystal to take the material to an exciting, modern place. Luca and Mattia worked with our craftsmen to create a slender inverted flute of 24% lead crystal that, like the calla lily it mimics, can be grouped into stunning bouquets of light. Design Luca Martorano and Mattia Albicini.



# Calle, Perennial *Elegance.*

design Luca Martorano+Mattia Albicini  
terzani.com


**TERZANI**  
LA LUCE PENSATA



**Type |**  
Pendant

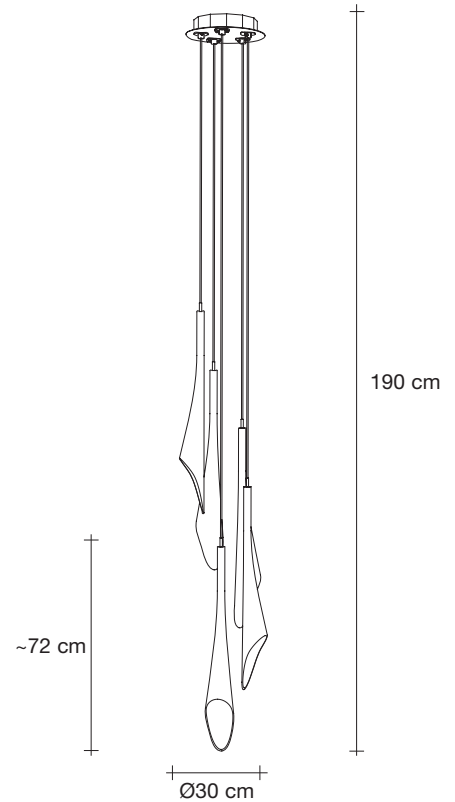
**Materials |**  
Clear crystal (24% lead)

**Finishes | Code**

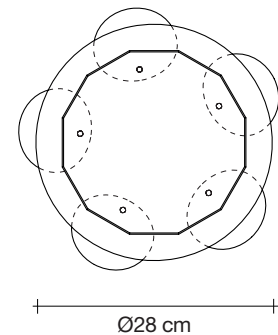
 Clear  
OT05S E8 A9

White canopy

**Body |**



**Canopy |**




**Light Source |**  
230-240V ~ 50/60Hz

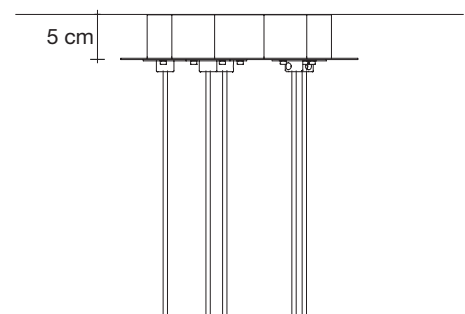
 HALOGEN  
5 x 20W G4 12V

or  
on request

 LED  
5 x 2W G4 12V

 Dimmable with  
IGBT and TRIAC  
Dali system on request

At Terzani, we spend countless days searching the globe for talented new designers, but sometimes they find us. Such is the case with the young designers Luca Martorano and Mattia Albicini who approached us with the design for Calle, a fantastic new light we instantly fell in love with. It showcases our skill at crafting crystal to take the material to an exciting, modern place. Luca and Mattia worked with our craftsmen to create a slender inverted flute of 24% lead crystal that, like the calla lily it mimics, can be grouped into stunning bouquets of light. Design Luca Martorano and Mattia Albicini.



83cm x 80cm x 43,5cm

# Calle, Perennial *Elegance.*

design Luca Martorano+Mattia Albicini  
terzani.com



**Type |**  
Pendant

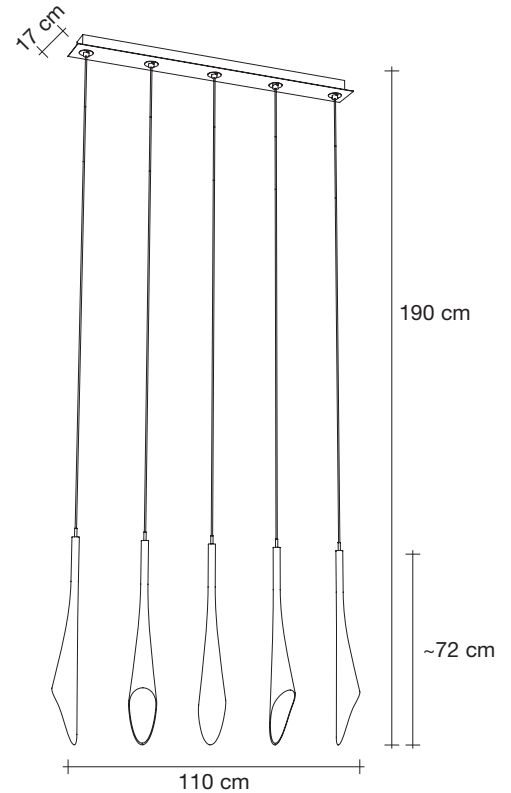
**Materials |**  
Clear crystal (24% lead)

**Finishes | Code**

 Clear  
OT05S E8 A9 R

White canopy

Body |




**Light Source |**  
230-240V ~ 50/60Hz

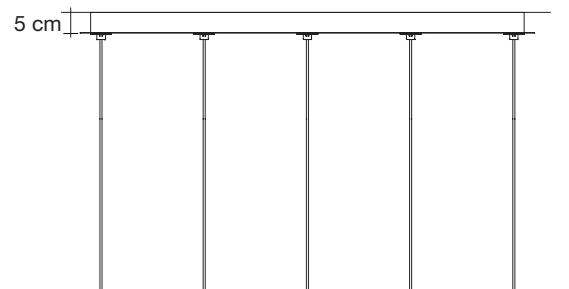
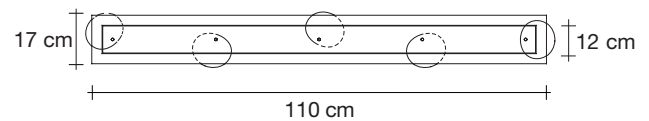
 HALOGEN  
5 x 20W G4 12V

or  
on request

 LED  
5 x 2W G4 12V

 Dimmable with  
IGBT and TRIAC  
Dali system on request

Canopy |




At Terzani, we spend countless days searching the globe for talented new designers, but sometimes they find us. Such is the case with the young designers Luca Martorano and Mattia Albicini who approached us with the design for Calle, a fantastic new light we instantly fell in love with. It showcases our skill at crafting crystal to take the material to an exciting, modern place. Luca and Mattia worked with our craftsmen to create a slender inverted flute of 24% lead crystal that, like the calla lily it mimics, can be grouped into stunning bouquets of light. Design Luca Martorano and Mattia Albicini.



 6,5  
11,5

 5  
7,5

 117cm x 29cm x 16cm  
77cm x 77cm x 30cm

# Calle, Perennial *Elegance.*

design Luca Martorano+Mattia Albicini  
terzani.com

**TERZANI**  
LA LUCE PENSATA



**Type |**  
Pendant

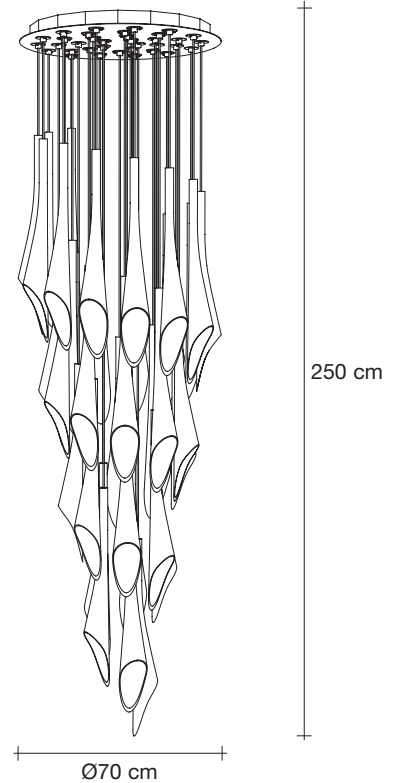
**Materials |**  
Clear crystal (24% lead)

**Finishes | Code**

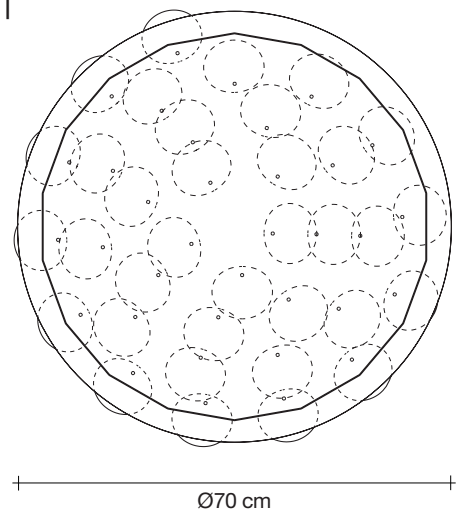
 Clear  
OT35S E8 A9

White canopy

Body |



Canopy |




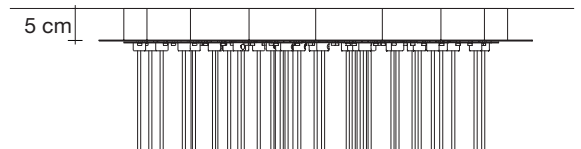
**Light Source |**  
230-240V ~ 50/60Hz

 HALOGEN  
35 x 10W G4 12V

or  
on request

 LED  
35 x 1,5W G4 12V

 Dimmable with  
IGBT and TRIAC  
Dali system on request



At Terzani, we spend countless days searching the globe for talented new designers, but sometimes they find us. Such is the case with the young designers Luca Martorano and Mattia Albicini who approached us with the design for Calle, a fantastic new light we instantly fell in love with. It showcases our skill at crafting crystal to take the material to an exciting, modern place. Luca and Mattia worked with our craftsmen to create a slender inverted flute of 24% lead crystal that, like the calla lily it mimics, can be grouped into stunning bouquets of light. Design Luca Martorano and Mattia Albicini.

