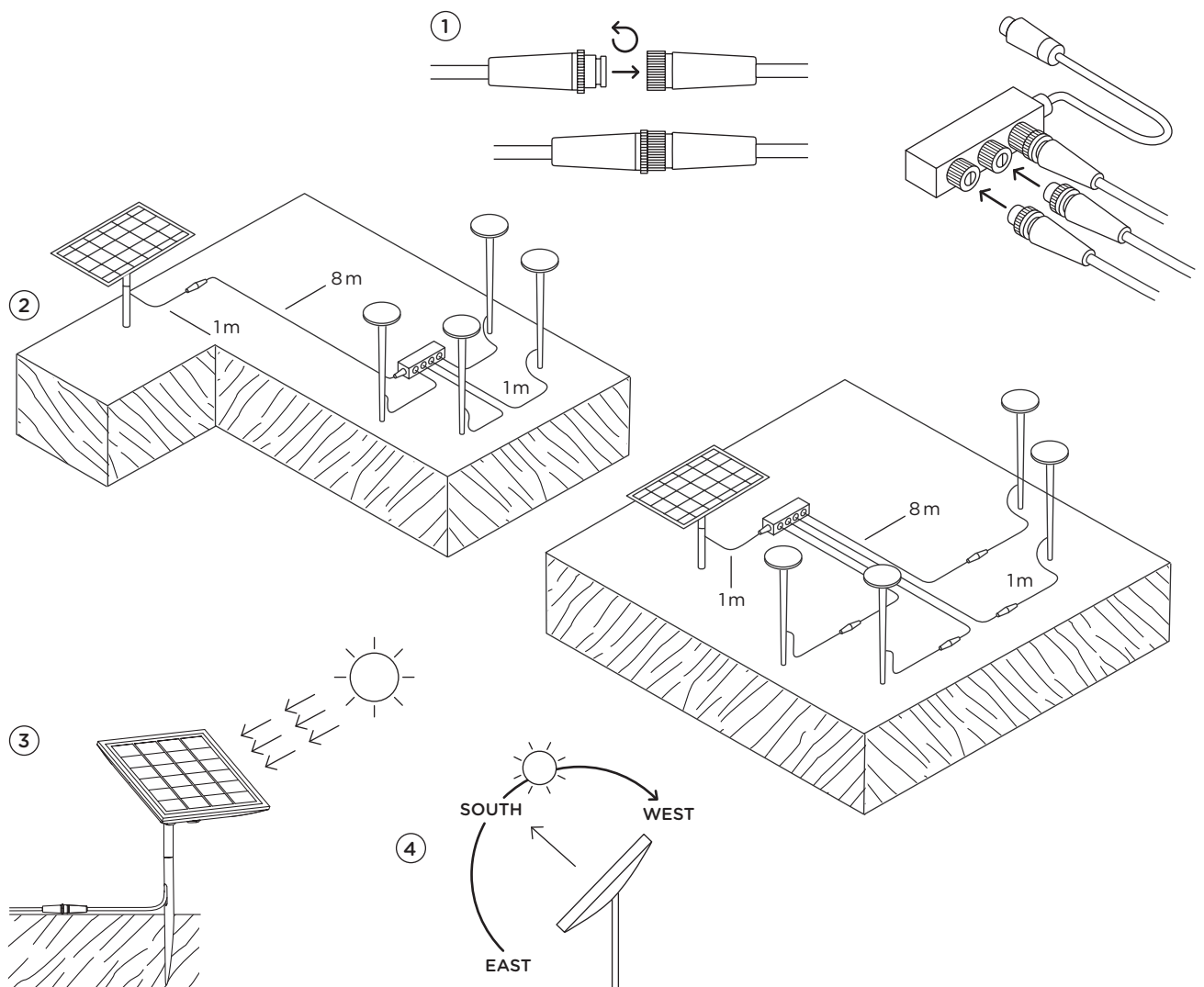


## lix spike solar join

### instructions for use

#### For unpaved beds and greens

1. Before using the solar panel for the first time, it has to be charged for about two full days of sunshine, each lasting 10 hours. The initial charging process should be made indoors, this guarantees the protection class IP65.
2. Stick ground spike of the luminaires and of the solar panel L in the ground. A maximum of 4 luminaires (lix spike solar join, reed solar join, piek mini solar join) can be connected to the solar panel L via the port. It is not possible to connect a 2nd solar panel L.
3. Provide the connection between luminaires + junction (port 2, port 3, port 4) + solar unit, resp. extension cable **aboveground** and **not underground**. The distance between solar panel L and luminaires should not exceed 10 metres (picture 1 + 2).
4. Place the solar panel in a position exposed to direct sunlight (south orientation) and illuminate the solar panel **constantly by direct sunlight** (picture 3 + 4).  
In autumn/winter months the function may be limited, as the position of the sun is not as high depending on the region and potential prolonged shading. Make sure that the solar panel is free of foliage, leaves, branches, dirt and deposits to achieve an optimal charging result.  
At dusk the luminaires will light up, it will then switch off automatically after approx. 5 hours of operation. With a fully charged battery the luminaires can be used approx. 15 hours.



## light technology:

LED / 2700K

system performance: 4,4 W/260 lm (1x lix spike solar join) -  
1,1 W/65 lm (4x lix spike solar join)

solar panel: lithium-ion battery 4x 2600 mAh



## technical information:

supply cable luminaire + solar panel: H05RN8-F 2x0,75 mm<sup>2</sup>



protection class IP65



safety class 3



Luminaire is suitable for mounting on normal inflammable fixing surfaces.



conformity mark

## maintenance:

This product contains built-in LED lamps and a battery. These can be replaced by IP44.DE in case of a failure. In this case, please get in touch with your retailer.

## care:

Regularly clean components from dirt and deposits. Do not use a high pressure cleaner for cleaning. Please note care instructions at [www.IP44.de](http://www.IP44.de).

## safety:

We point out that the electric connection of light fixtures has to be done by a certified installer. We assume no accountability for damages which are a result of non-appropriate mounting or application of the components. Modifications on the product will result in loss of warranty.

## assembly instruction:

The components may not come into contact with highly acidic or alkaline soils, or with other aggressive substances, chemicals or fertilizers.

## FAQs:

You will find answers to frequently asked questions about the product on our website [www.IP44.de](http://www.IP44.de).