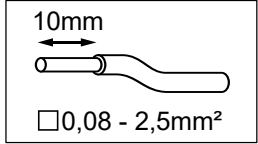
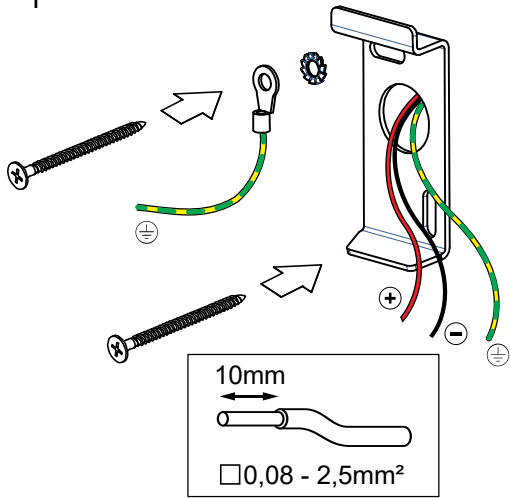


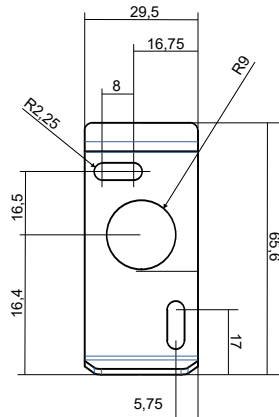
SmartST S Wall 82 1xLED GE

128466XX

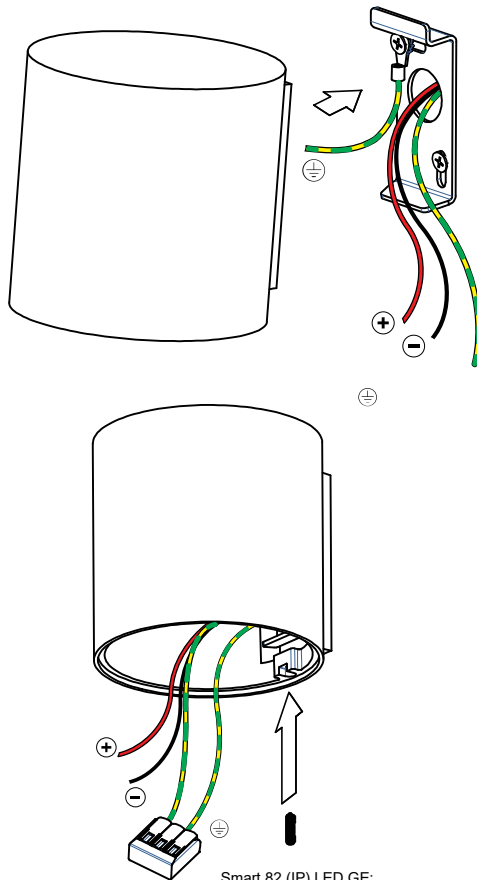
1



(SCREWS NOT INCLUDED)



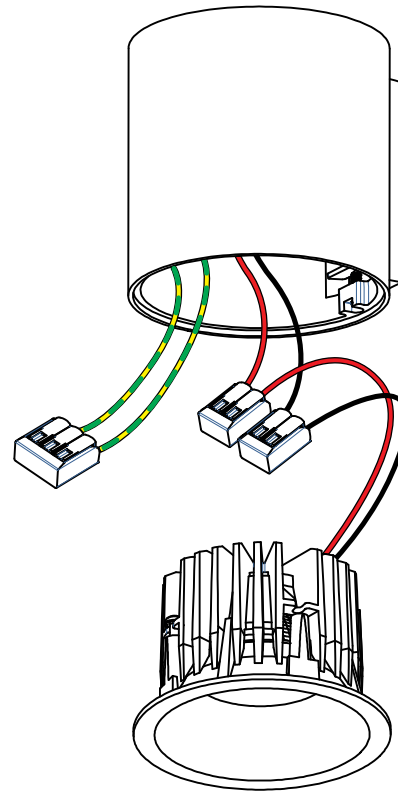
2



Smart 82 (IP) LED GE:
Smart 82 adjustable LED GE:

| Drive Current (mA) | Forward Voltage | | Power (W) |
|--|-----------------|----------|-----------|
| | min (Vf) | max (Vf) | |
| 350 | 16,5 | 19,2 | 6,2 |
| 500 | 17,1 | 19,8 | 9,2 |
| For serial connection, respect polarity! | | | |
| ⊕ RED | | ⊖ BLACK | |

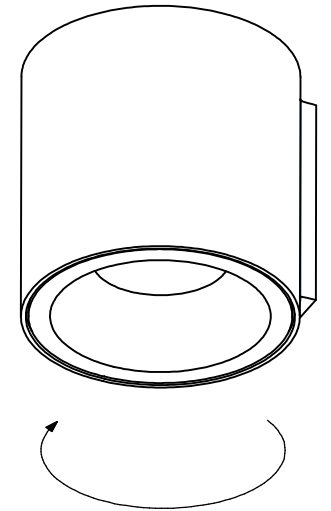
3



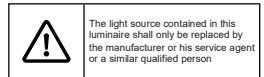
Smart 82 (IP) warmdim LED GE:
Smart 82 adjustable warmdim LED GE:

| WARM DIM | | | |
|--|-----------------|----------|-----------|
| Drive Current (mA) | Forward Voltage | | Power (W) |
| | min (Vf) | max (Vf) | |
| 350 | 15,5 | 18,5 | 6 |
| For serial connection, respect polarity! | | | |
| ⊕ RED | | ⊖ BLACK | |

4



install : Twist clockwise
uninstall : Twist counterclockwise

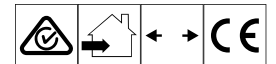


The light source contained in this luminaire shall only be replaced by the manufacturer or his service agent or a similar qualified person

CAN BE USED WITH :

- Smart 82 (IP*) LED GE
- Smart 82 adjustable LED GE
- Smart 82 (IP*) warmdim LED GE
- Smart 82 adjustable warmdim LED GE
- Smart 82 GU10 GE for tube/box

*in combination with Smart ST Wall = IP20



01 - 17/09/2019