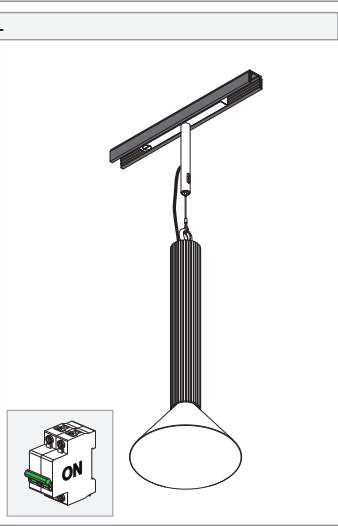
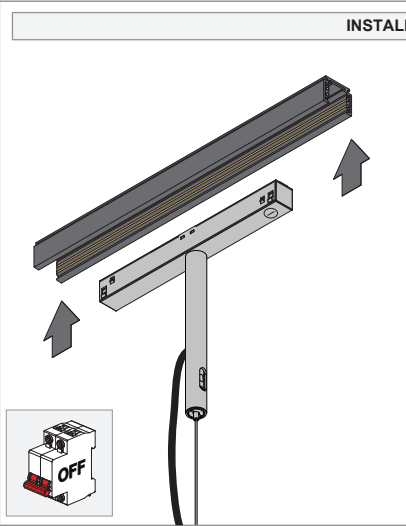


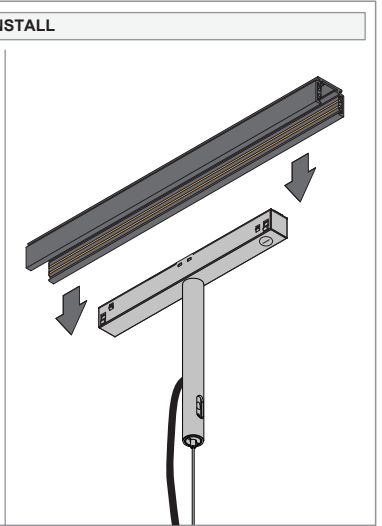
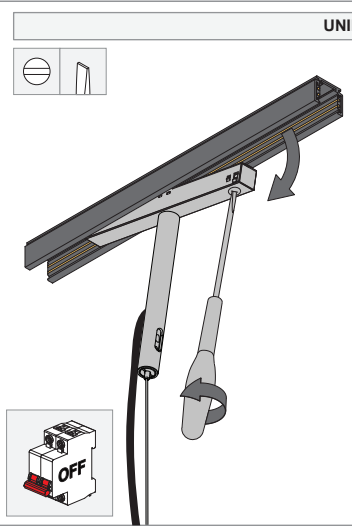
Extruded Track 48V

13690XXX_13691XXX

INSTALL

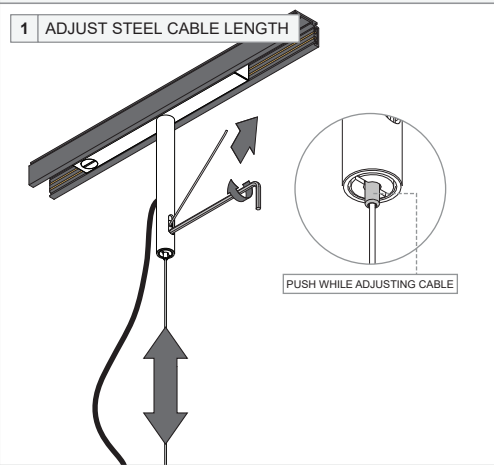


UNINSTALL



ADJUST CABLE LENGTH

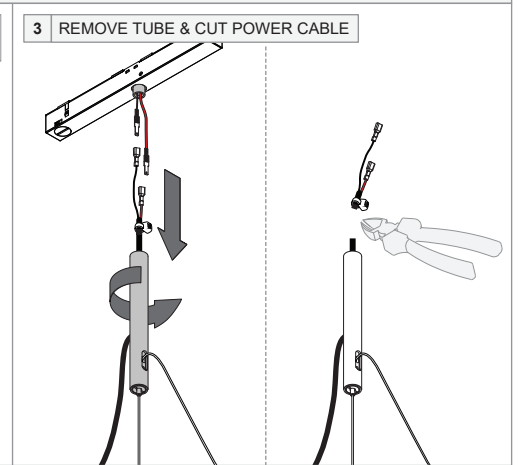
1 ADJUST STEEL CABLE LENGTH



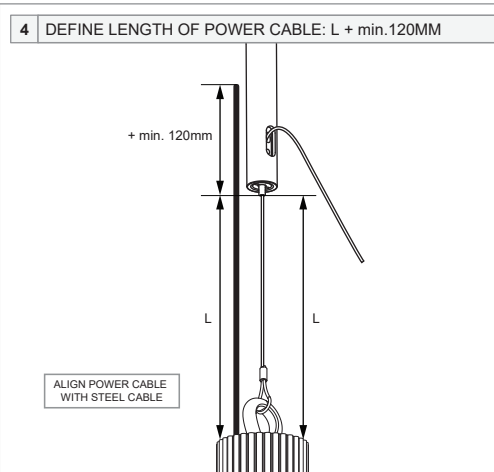
2 REMOVE FROM TRACK



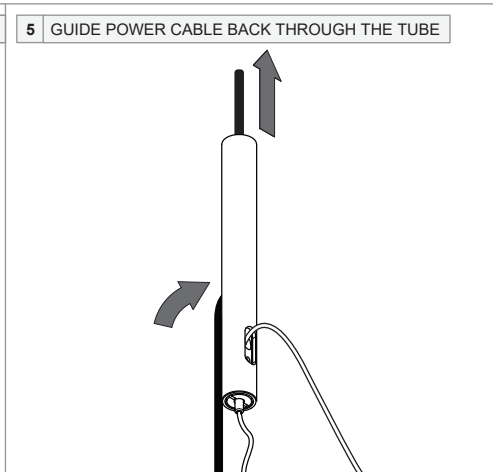
3 REMOVE TUBE & CUT POWER CABLE



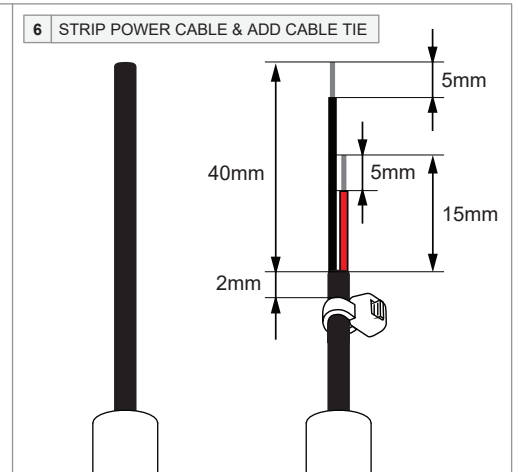
4 DEFINE LENGTH OF POWER CABLE: L + min. 120MM



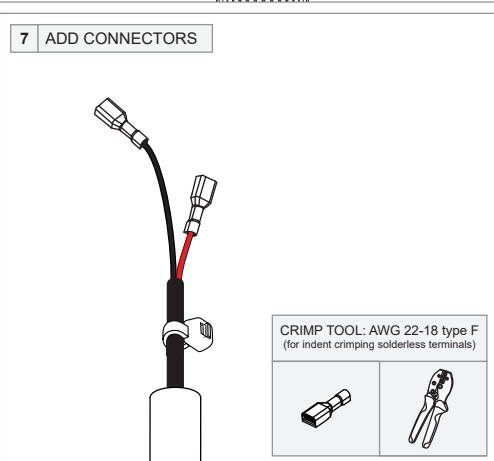
5 GUIDE POWER CABLE BACK THROUGH THE TUBE



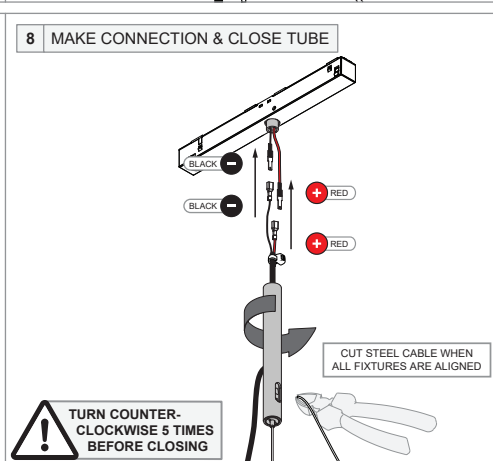
6 STRIP POWER CABLE & ADD CABLE TIE



7 ADD CONNECTORS



8 MAKE CONNECTION & CLOSE TUBE



9 PUSH IN TRACK

