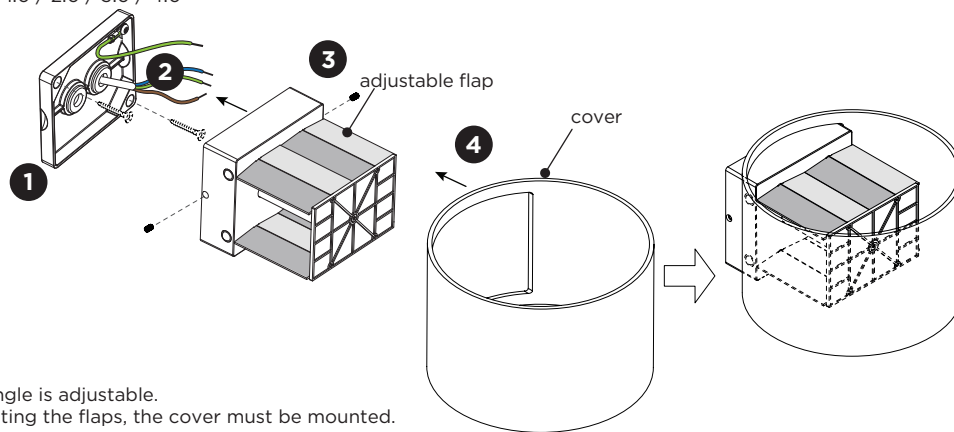
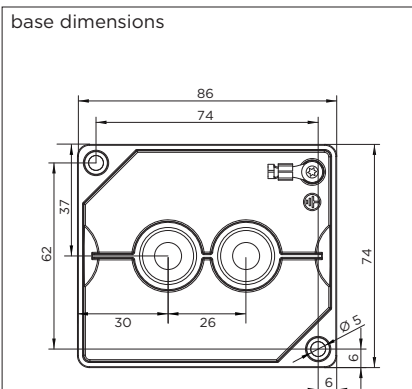
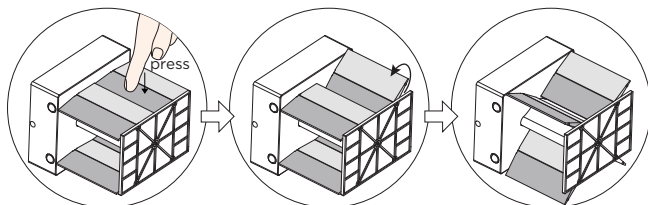


Installation of 1.0 / 2.0 / 3.0 / 4.0

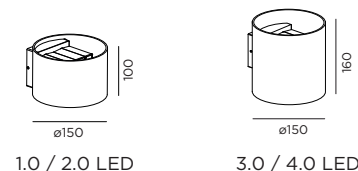


The beam angle is adjustable.
Before adjusting the flaps, the cover must be mounted.



	A	B	C
CABLE			
TYPE	ROUND H05RN-F H07RN8-F H07RN-F	ROUND H05RN-F	ROUND
OUTSIDE Ø	min 6.8mm max 8.9mm	min 5mm max 6.8mm	min 1.5mm max 2.6mm
CONDUCTION SECTION	2or3x 0.75mm ² 2or3x 1.0mm ² 2or3x 1.5mm ²	2or3x 0.75mm ² 2x 1.0mm ²	0.75mm ² 1.5mm ²

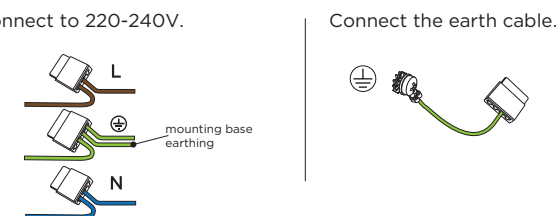
DIMENSIONS



MOUNTING INSTRUCTION

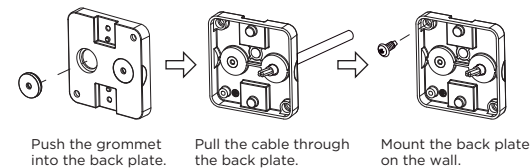
1 Remove the mounting base from the LED inset by loosening the socket screws and mount it on the wall with screws (screws are not included).

2 **POWER CONNECTION**
Connect to 220-240V.



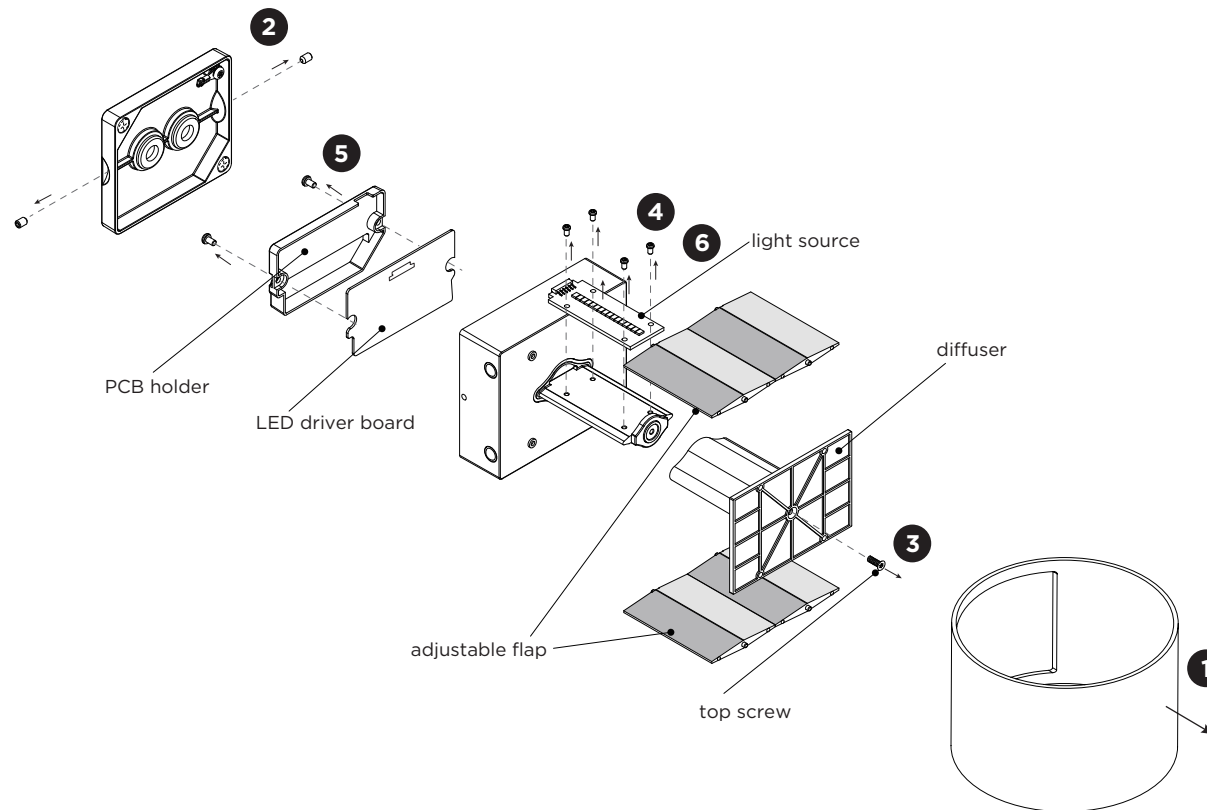
Please use a matching grommet based on the used 220-240V cable and the corresponding type in the overview table.

for example:



3 Fix the LED inset on the base with the socket screws.

4 Mount the cover by pushing and clicking it over the luminaire.



DISMOUNTING AND RECYCLING INSTRUCTIONS

Light source

- 1 Pull off the cover.
- 2 Loosen the socket screws, take the LED module from the wall and loosen the wiring.
- 3 Loosen the top screw and remove the adjustable flaps and diffuser.
- 4 Remove the screws from the light source.
- 5 Remove the screws from the PCB holder.
- 6 Remove the light source by desoldering it from the LED driver board.



The light source is replaceable by an authorized professional. For advice contact your Wever & Ducré customer service contact point.

This luminaire contains a light source with the corresponding energy class:

colour temperature	1.0 / 2.0 Energy class	3.0 / 4.0 Energy class
2700K 3000K		
1800-2700K		