

FLOS

F1070039 Green

Bellhop Floor

Designed by Edward Barber and Jay Osgerby, 2020

26W - 1023lm - 2700K - CRI> 90



Floor lamp with indirect light. Stem in painted aluminium: shiny white, brick, cioko, green. Reflector in shiny opal white and grey blown glass. Electrical cable of 270 cm usable length with foot dimmer switch for ON/OFF function and brightness adjustment 10–100%. Power supply with interchangeable plugs.

Are you a professional and your project needs consulting and support?

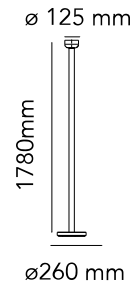
BOOK AN APPOINTMENT

Main specifications

EAN	8059607039724
Mounting	Floor
Environments	Indoor dry location
Light Source Type	LED
LED type	LED array
Power (W)	26
System power (W)	26
System flux (lm)	1023

Physical

Colour	Green
Length (mm)	260
Cord length (mm)	2700
Net weight (kg)	9.82
Package height (mm)	0
Package width (mm)	0
Package length (mm)	0
Package volume (m3)	0.05
IP internal	20



Download

- Mounting instructions [↓ PDF](#)
- Mounting instructions [↓ PDF](#)
- Spare Parts [↓ PDF](#)

Photometric Files

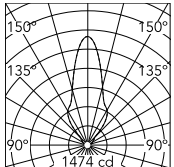
- LDT / IES [↓ LDT](#)

Technical Drawings

- 3D [↓ ZIP](#)
- Bim [↓ ZIP](#)



Schematic light drawing



Beam Angle: 33°

h(m)	E(lx)	D(m)
1	1474	0.59
2	368	1.19
3	164	1.78
4	92	2.38
5	59	2.97

Luminous flux Luminaire
1232 lm

Photometric

Lighting type	Indirect
Light distribution	Roto symmetric
CCT (K)	2700
CRI>	90

Electrical

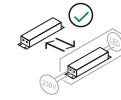
Insulation class	III
Frequency (Hz)	50/60
Main voltage (Vac)	100-240/48
LED voltage Vf (Vdc)	null
LED current (mA)	700
Driver	Remote included
Dimmable	Yes
Dimming type	Electronic 48V
Dimming interface	Switch Integrated (Remote Dimmable)
Plug type	Type G, Type A, Type C
Batteries inside	No

Ecodesign and Energy Labelling

This product contains a light source of energy efficiency class **G**

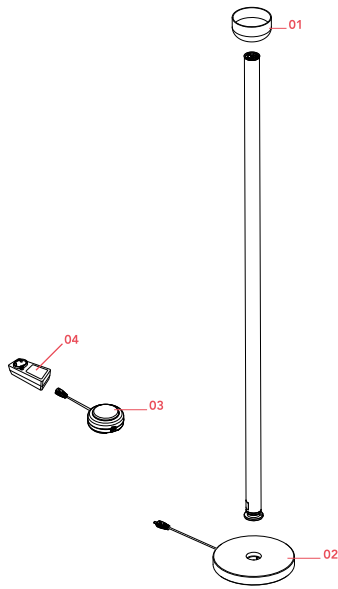


Replaceable (LED only)
light source by a
professional



Replaceable control
gear by an end-user

Spare Parts



- | | | |
|-----|---|-----------|
| 01. | Bellhop F Reflector White | F1073009 |
| 02. | Bellhop F Base Concrete | F1072009 |
| 03. | Switch Dimmer Assembly
700mA | RF30216 |
| 04. | Black plug assembly kit & 48V
driver | RF3320400 |
| 10. | Assembly Coaxial Connector | RF3390130 |

DOWNLOAD



F1073009

Bellhop F Reflector White



F1072009

Bellhop F Base Concrete



RF30216

Switch Dimmer Assembly 700mA



RF3320400

Black plug assembly kit & 48V driver



RF3390130

Assembly Coaxial Connector