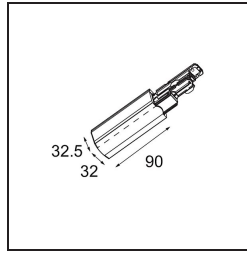
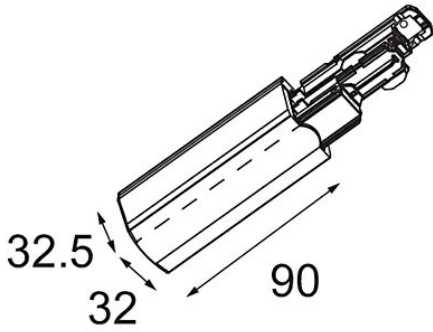


Date \_\_\_\_\_  
Customer \_\_\_\_\_  
Project \_\_\_\_\_  
Type \_\_\_\_\_

*Track power feed left dali white*



**Specifications**

Material	14210601
Lamp Included	No
Number of Light Sources	0
Input Voltage	230V
Electrical Class	I
IP Rating	20
Glow wire rating (°C)	960
Dimming Protocol	DALI
Indoor/Outdoor	Indoor
Adjustability	Not Applicable
Primary Colour & Primary Finish	White,
Gross weight (g)	83.0