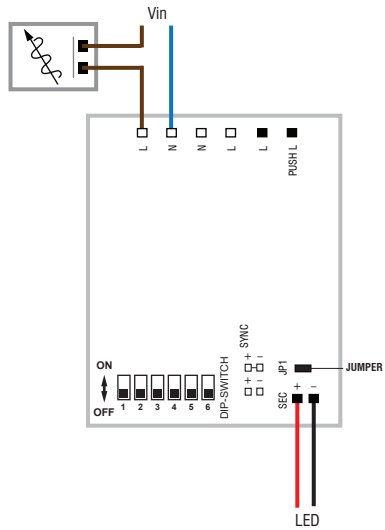


LED Gear 350-700mA 17-32W L+Tre/PUSH

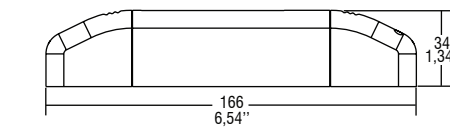
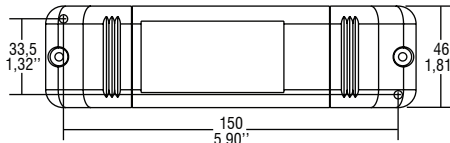
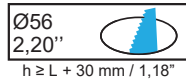
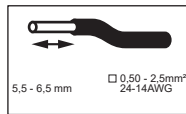
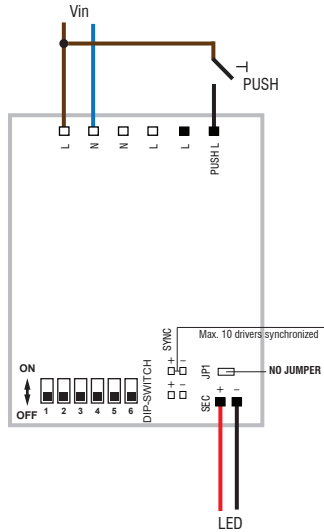
12400330

Diagram



| | | | | |
|--------------|-----|---------|-----------|-------------|
| 350mA | 17W | 1-47Vdc | ON OFF | 1 2 3 4 5 6 |
| 500mA | 24W | 1-47Vdc | ON OFF | 1 2 3 4 5 6 |
| 700mA | 32W | 1-43Vdc | ON OFF | 1 2 3 4 5 6 |

PUSH diagram (NO JUMPER)



Operating Mode

- Regulating driver with "phase cut-off" dimmer IGBT, TRIAC and PUSH
- Light regulation 0/0,5 -100% by means of PUSH function: (mains voltage) remove JUMPER
 - a short push to turn on and off
 - a longer push to increase or decrease light intensity
 - regulation automatically stops at minimum or maximum values for another on regulation or off command, release the push button and give the desired command again
 - dimming level memory at mains restore
- Possibility to use PUSH function to 4/5 drivers without sync cable
- Maximum length of the cable, from the push button to last driver, must be max. 15 m / 49 ft. In case of application where the cable is longer keep this separate from the 220-240 Volt mains cable.
- ATTENTION: only use normally open push buttons with no incorporated warning light
- Max. 10 drivers synchronization is possible, command only one driver (1 master + 9 slaves) - synchronization cable 4m is separately supplied (12400100)
- PUSH re-synchronization: when the drivers are switched on, press the PUSH key for more than 1 second (long PUSH) followed with a short push (<1s). now the devices are switched off, do a long PUSH, the system will now be resynchronized.
- LOOPING: suitable for cascade connection.

Rated Voltage

220 ÷ 240 V

Frequency

50...60 Hz

AC Operation range

198 ÷ 264 V

DC Operation range

DC 176 ÷ 264 V

(NO IGBT/TRIAC)

(NO PUSH mode function)

Power

0 ÷ 32 W

Temperature

Tc = 75°C

Ta = -25...+45°C

max. Efficiency

> 85⁽¹⁾

Maximum current output ripple

≤ 3%⁽¹⁾

Reference Norms

EN 50172 (VDE 0108)

EN 55015

EN 61000-3-2

EN 61000-3-3

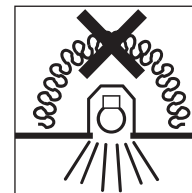
EN 61347-1

EN 61347-2-13

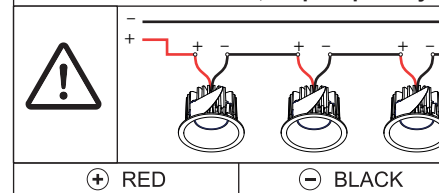
EN 61547

EN 62384

VDE 0710-T14



For serial connection, respect polarity!



CAN BE USED WITH

Fixtures:

see driver matrix - latest version on website

www.supermodular.com or check sales contact

⁽¹⁾ Referred to $V_{in} = 230V$, 100% load

