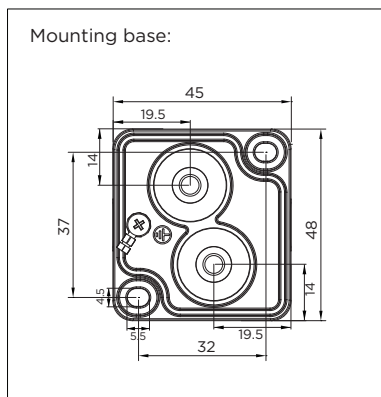
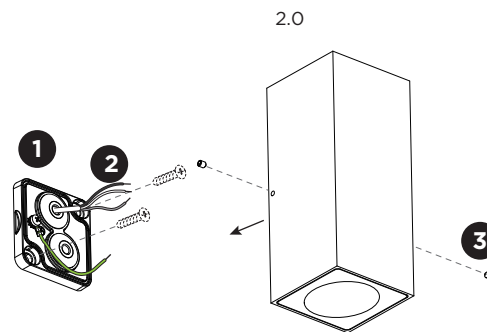
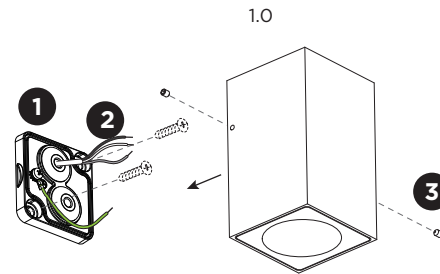


# TRAIN

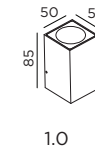
INSTALLATION INSTRUCTIONS | DECEMBER 2022



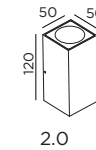
	A	B	C
<p>use pin to make hole, not a knife</p>			
CABLE			
TYPE	ROUND H05RN-F H07RN8-F H07RN-F	ROUND H05RN-F	ROUND
OUTSIDE Ø	min 6.8mm max 8.9mm	min 5mm max 6.8mm	min 1.5mm max 2.6mm
CONDUCTION SECTION	2or3x 0.75mm <sup>2</sup> 2or3x 1.0mm <sup>2</sup> 2or3x 1.5mm <sup>2</sup>	2or3x 0.75mm <sup>2</sup> 2x 1.0mm <sup>2</sup>	0.75mm <sup>2</sup> 1.5mm <sup>2</sup>



## DIMENSIONS



1.0

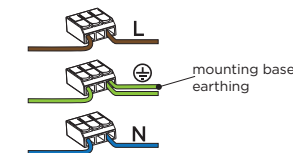


2.0

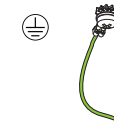
## MOUNTING INSTRUCTION

- 1 Remove the mounting base from the luminaire by loosening the side screws and mount it on the wall with screws (screws are not included).

- 2 POWER CONNECTION  
Connect to 220-240V.

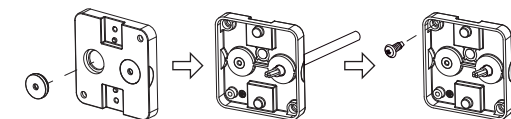


Connect the earth cable.



Please use a matching grommet based on the used 220-240V cable and the corresponding type in the overview table.

for example:



Push the grommet into the back plate.

Pull the cable through the back plate.

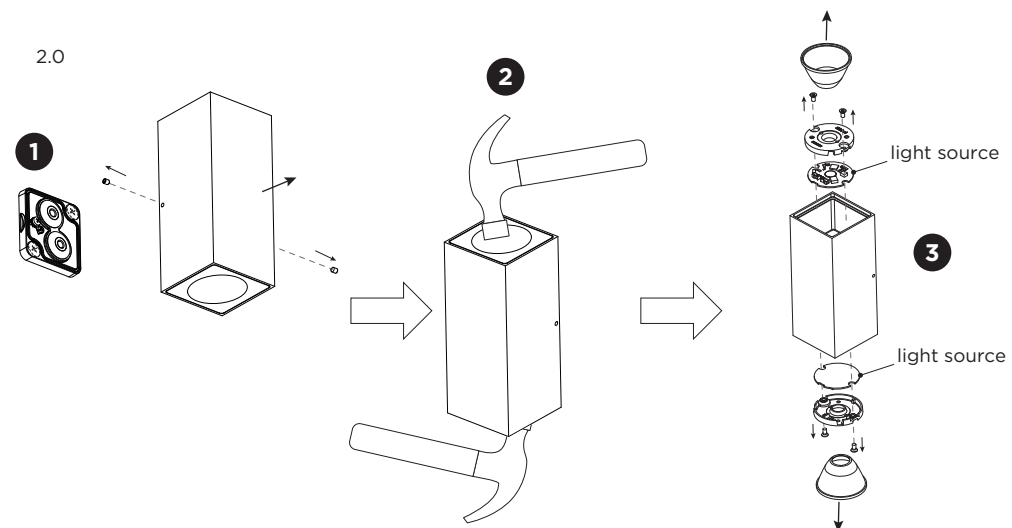
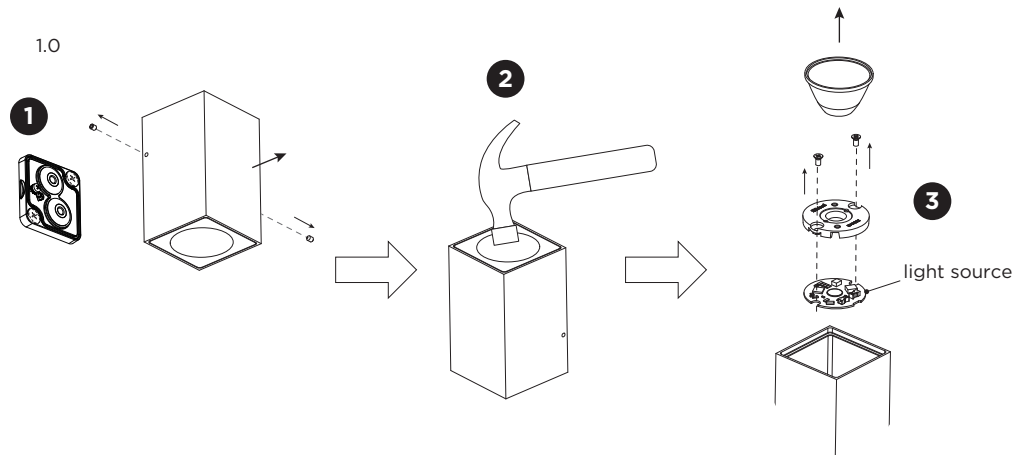
Mount the back plate on the wall.

- 3 Fix the luminaire on the base with the side screws.

PB19-010-547-00\_v4

# TRAIN

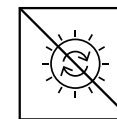
INSTALLATION INSTRUCTIONS | DECEMBER 2022



## DISMOUNTING AND RECYCLING INSTRUCTIONS

### Light source

- 1 Loosen the side screws, disconnect wires, and remove the fixture from the mounting base.
- 2 Break the glass.
- 3 Take out the components and the light source.



The light source is not replaceable.



This luminaire contains a light source with the energy class F.