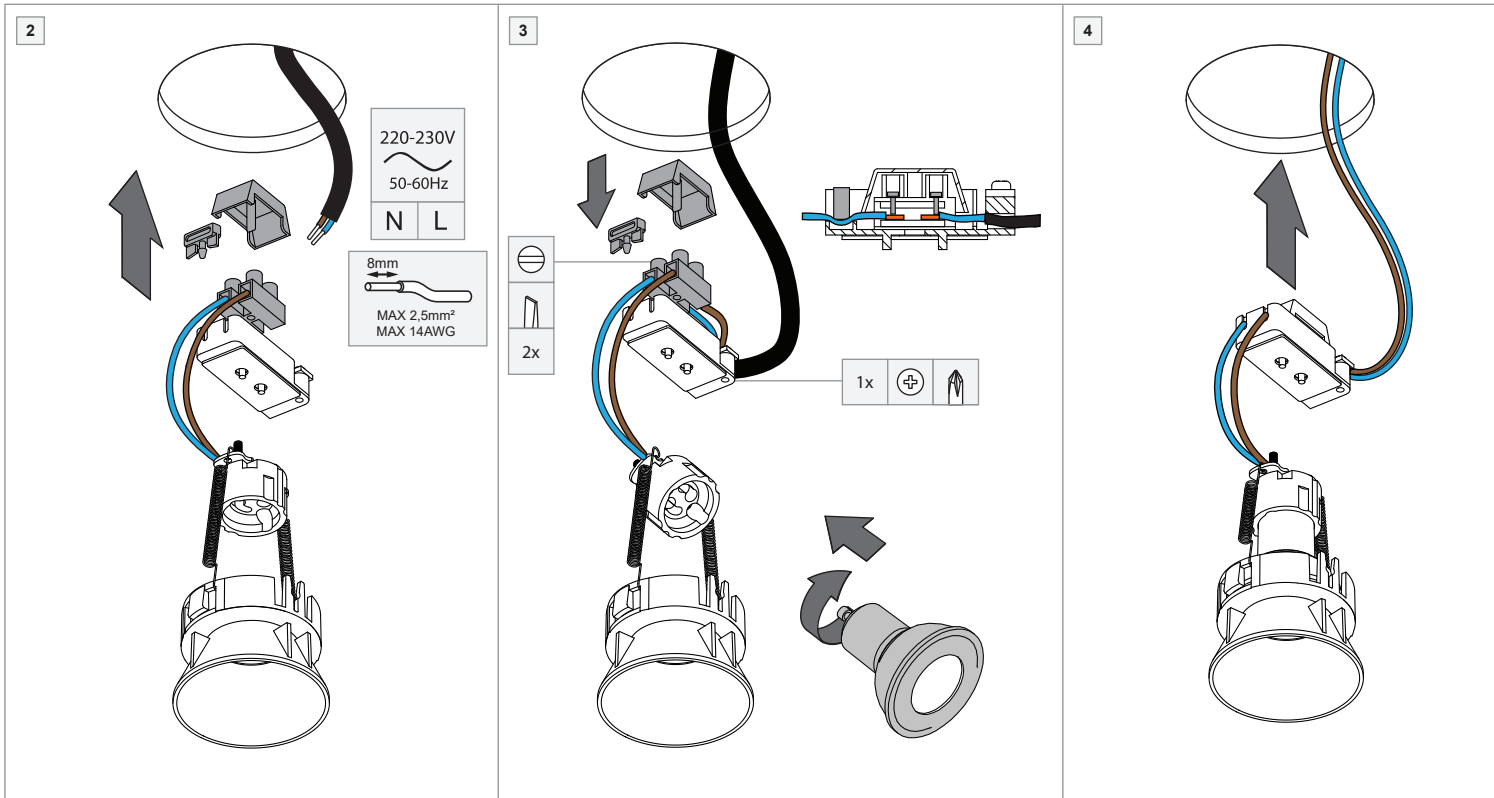


# TETRIX Oblique 62 GU10 for LED

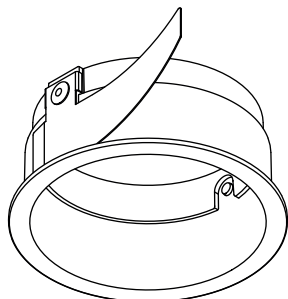
135126XX\_135127XX\_135128XX

- 1a Click Tetrax Oblique 62 in the frame before connecting the wiring
- 1b Install the Trimless Ring before connecting the wiring

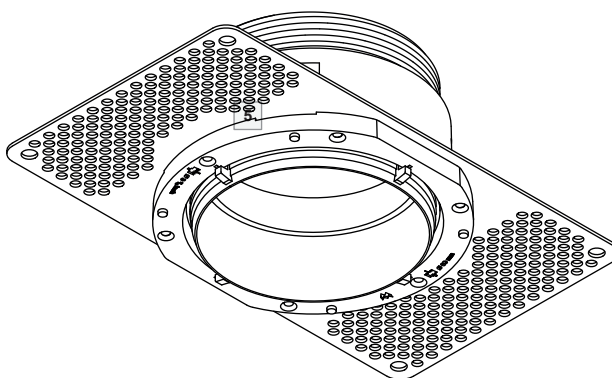


## SHOULD BE USED WITH

**TETRIX frame round 74**  
135100XX

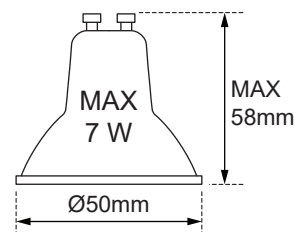


**TRIMLESS RING Ø62**  
13515430



## TO BE COMBINED WITH

GU10 LEDLAMP



## OPTICAL ACCESSORIES

**HONEYCOMB Ø33**  
13515132



**SNOOT Ø32**  
13515032



**LC Ø44**  
13515232

