

FLOS

■ F0418030 Black

Arrangements Recessed Rose

Designed by Michael Anastassiades, 2018




Recessed Rose-MAX190W

Are you a professional and your project needs consulting and support?

[BOOK AN APPOINTMENT](#)

Download

[Mounting instructions](#)  PDF

[Spare Parts](#)  PDF

Main specifications

EAN	8059607014202
Mounting	Suspension
Environments	Indoor dry location
Power (W)	210

Physical

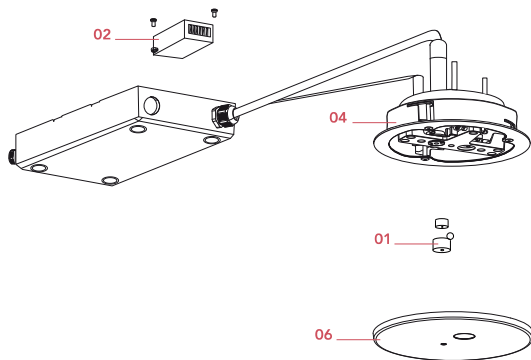
Colour	Black
Recessed depth (mm)	250
Cord length (mm)	2400
Canopy dimension (mm)	8
Canopy width (mm)	190
Net weight (kg)	3.3
Package height (mm)	220
Package width (mm)	300
Package length (mm)	470
Package volume (m3)	0.03
IP internal	20



Electrical

Insulation class	I
Frequency (Hz)	50/60
Main voltage (Vac)	100-240
LED voltage Vf (Vdc)	null
Driver	Integrated
Dimmable	Yes
Dimming type	Dimmable 0-10V, Dimmable Push, Dimmable 1-10V, Dimmable DALI 1
Dimming interface	Remote Dimmable (Dimmer Not Included)
Batteries inside	No

Spare Parts



02.	Led dimmer kit	RF0410300
03.	Recessed power unit	RF27614
04.	Recessed ceiling wall assembly	RF27613
06.	Recessed ceiling rose cover	RF26773
09.	Spacers cable	RF26602
10.	Regulation cables key	RF26440
11.	Element support assembly	RF26906

DOWNLOAD



RF0410300
Led dimmer kit



RF27614
Recessed power unit



RF27613
Recessed ceiling wall assembly



RF26773
Recessed ceiling rose cover



RF26602
Spacers cable



RF26440
Regulation cables key



RF26906
Element support assembly