

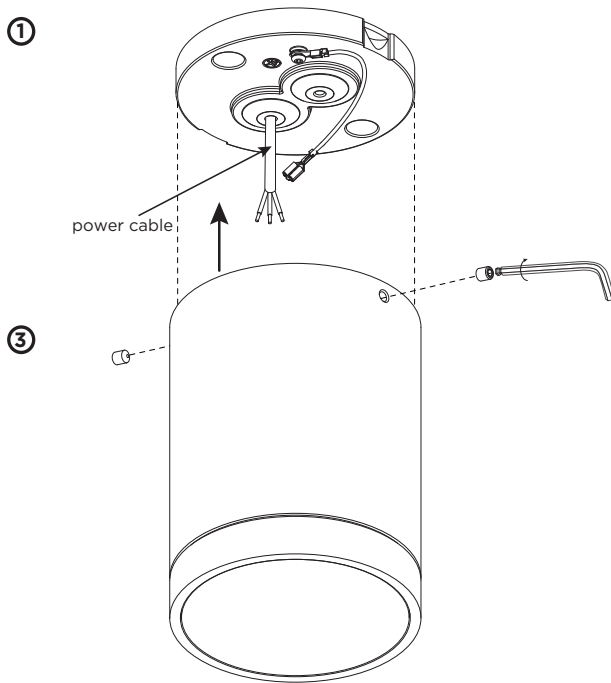
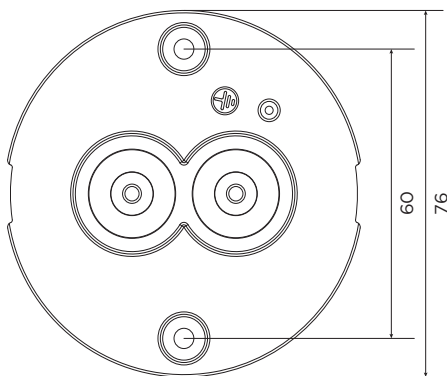
# TUBE CEILING

16-May-2016

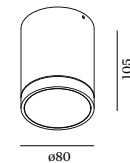
**1.0**  
**LED** 8W | 220-240VAC | 50-60Hz | COB 2-step | incl. PS | phase-cut dim  
 CE IP65 3000K >80 CRI 480lm  
 3000K | >80 CRI | 480lm  
 white texture 734164W4  
 dark grey texture 734164D4  
 black texture 734164B4

**1.0**  
 PAR16 max.35W | GU10 | 220-240VAC | 50-60Hz  
 CE IP65 2700K | 3000K | 1800-2850K  
 OPTIONAL: PAR16 LED GU10 6W | phase-cut dim : 2700K | 3000K | 1800-2850K  
 white texture 734120W0  
 dark grey texture 734120D0  
 black texture 734120B0

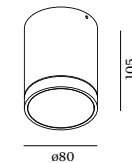
Mounting Base:



## DIMENSIONS



**TUBE CEILING  
1.0 LED**



**TUBE CEILING  
1.0 PAR16**

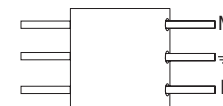
## MOUNTING INSTRUCTION

- Remove the mounting base from the TUBE CEILING and mount it on the ceiling with screws.

## POWER CONNECTION

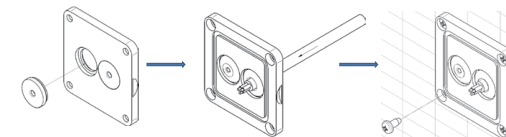
- Make connection with the power supply

Interior: STANDARD version



Exterior: WATERPROOF Connection

IP-rated connections for wall and ceiling fixtures: cable isolation for round cables  $\varnothing$  4.5-7.5 mm, should be in the grommet. For cable use  $\varnothing$  7.0-9.5 mm: replace the grommet with the other grommet in the bag.



Push the grommet into the back plate.

Pull the cable through the back plate.

Mount the back plate on the wall.

- Mount the luminaire on the base with the socket screws.



**WEVER & DUCRÉ**  
LIGHTING

[www.weverducre.com](http://www.weverducre.com)

Wever & Ducre bvba Kwadestraat 153 bus 2.1 8800 Roeselare

**INSTALLATION  
INSTRUCTIONS**