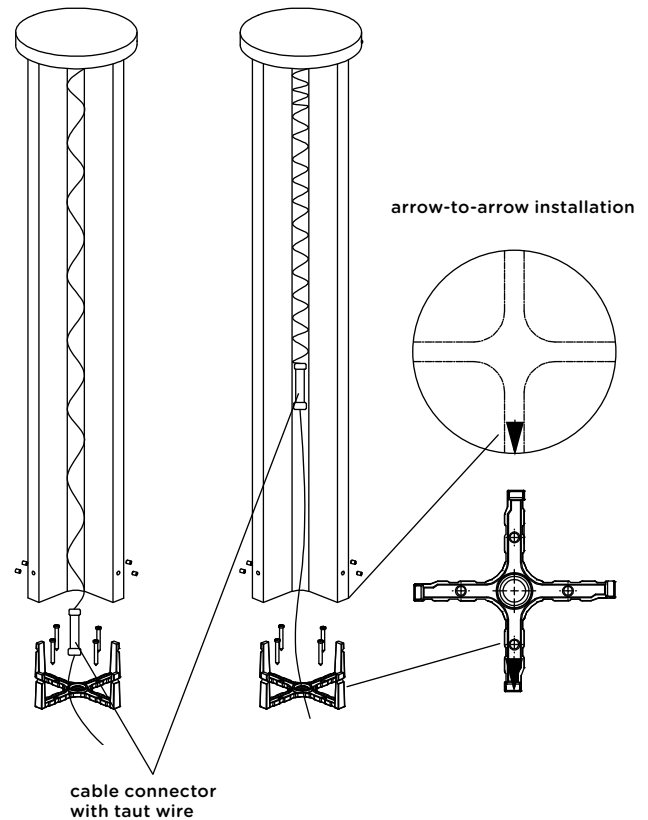


## mir R 70 poller

### instructions for use

1. Remove baseplate from light-tube.
2. Conduct mains cable through the baseplate.
3. The baseplate has to be screwed on an even foundation with the included fixing material; where necessary prepare a drainage system. Ensure a secure position and flushness with FFL (finished floor level).
4. When screwing the baseplate, pay attention to the arrow mark according to sketch. Important for the light-tube installation under item 7, as an arrow-to-arrow installation is mandatory.
5. Pull out spiral cable from light-tube by means of taut wire. Connect underground cable with cable connector inside the luminaire. Ensure tight seal of the PG fitting.
6. Slide light-tube onto baseplate and tight countersunk head screws flush and evenly. Avoid pinched cables.



### light technology:

IvyLight-technology  
230V Power LED / 3000K  
system performance: 12 W/240 lm

A+ EEC

### technical information:

operating voltage 230V / 50Hz

IP65 protection class

safety class 1

Luminaire is suitable for mounting on normal inflammable fixing surfaces.

CE conformity mark

### maintenance:

Disconnect the electrical installation.

This luminaire contains built-in LED lamps. The lamps cannot be replaced in the luminaire.

### dimming:

The luminaire can be dimmed with an approved leading- or trailing edge dimmer. Please contact IP44.de service center for a list of approved dimmers.

### care:

Regularly clean luminaire from dirt and deposits. Do not use a high pressure cleaner for cleaning.

Please note care instructions at [www.IP44.de](http://www.IP44.de).

### safety:

We point out that the electric connection of light fixtures has to be done by a certified installer.

We assume no accountability for damages which are a result of non-appropriate mounting or application of the luminaire.

Modifications on the luminaire will result in loss of warranty.

**note:** Moist concrete may be highly alkaline and must not contact the luminaire permanently! Therefore we recommend to provide a sufficient drainage in the installation area and to apply the foundation with a special base-coating.