

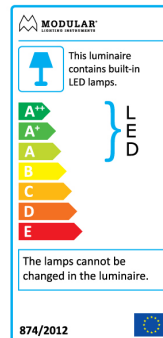
PISTA MARBUL MARBUL TRACK 48V 1X LED WARM DIM DALI GI

The round, organic shape of Marbul is hard to resist. The softness of its curves adds sensuality to a space. But on our Pista track system, Marbul also adds power. With its bigger volume, Marbul enhances the presence of our slender 48V track system. This Pista companion also comes as an adjustable spot directly on the track, and in suspended, non-adjustable and adjustable versions, all with a range of coloured reflectors.

Art. Nr. 13482532

SPECIFICATIONS

| | |
|-----------------|--------------------|
| Lamp | 1x LED Array 12W |
| Gear / Transfo | LED gear incl. |
| Weight | 0.84kg |
| Min. distance | 0.1 m |
| Power supply | 350mA |
| IP | IP20 |
| Glow wire test | 960° |
| Lifetime | 50000 hrs |
| CRI | 90 |
| CIE flux code | 100/100/100/100/94 |
| Luminaire power | 15W |
| Lumen | 955 Lm |
| Efficacy | 64 Lm/W |
| UGR | 14 |
| Adjustability | h 360° v 45° |



Available label
<http://supemodular.com/assets/TYPE2.pdf>

| | |
|-------------|-------------------------------------|
| | WARM DIM 1800K - 3000K / CRI 90+ |
| black struc | 13482532 |
| white struc | 13482509 |



PISTA MARBUL TRACK 48V 1X LED WARM DIM DALI GI

ACCESSORIES

CASAMBI

| | |
|----------|------------------------------------------|
| 13470232 | CASAMBI TRACK 48V DIM MODULE BLACK STRUC |
| 13470209 | CASAMBI TRACK 48V DIM MODULE WHITE STRUC |

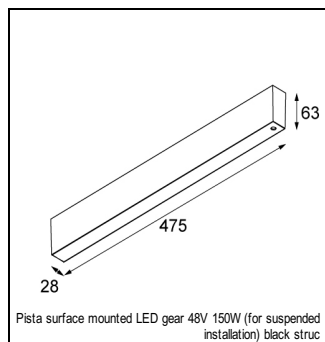
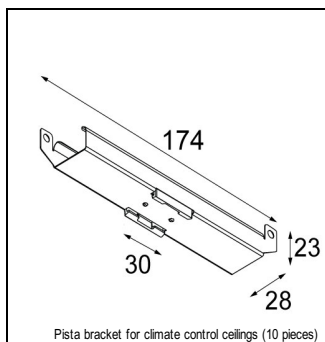
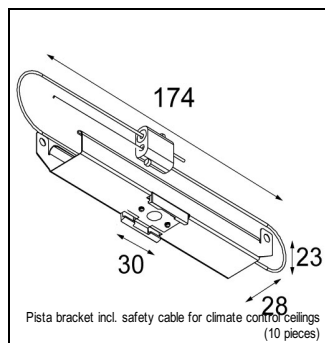
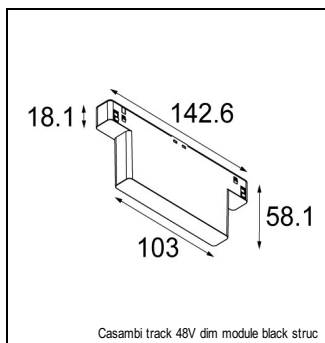
TRACK48V

| | |
|----------|-----------------------------------------------------------------------------------------------------------------------|
| 13410003 | PISTA BRACKET INCL. SAFETY CABLE FOR CLIMATE CONTROL CEILINGS (10 PIECES) |
| 13410001 | PISTA BRACKET FOR CLIMATE CONTROL CEILINGS (10 PIECES) |
| 13418932 | PISTA SURFACE MOUNTED LED GEAR 48V 150W (FOR SUSPENDED INSTALLATION) WHITE |
| 13418909 | PISTA SURFACE MOUNTED LED GEAR 48V 150W (FOR SURFACE INSTALLATION) BLACK |
| 13418832 | PISTA SURFACE MOUNTED LED GEAR 48V 150W (FOR SURFACE INSTALLATION) WHITE |
| 13418809 | PISTA SURFACE MOUNTED LED GEAR 48V 75W (FOR SUSPENDED INSTALLATION) BLACK |
| 13418532 | PISTA SURFACE MOUNTED LED GEAR 48V 75W (FOR SUSPENDED INSTALLATION) WHITE |
| 13418509 | PISTA SURFACE MOUNTED LED GEAR 48V 75W (FOR SURFACE INSTALLATION) BLACK STRUC |
| 13418232 | PISTA SURFACE MOUNTED LED GEAR 48V 75W (FOR SURFACE INSTALLATION) WHITE STRUC |
| 13418409 | PISTA SURFACE MOUNTED LED GEAR 48V 75W (FOR SURFACE INSTALLATION) WHITE STRUC |
| 13410709 | PISTA TRACK 48V COVER 2M WHITE STRUC |
| 13410732 | PISTA TRACK 48V COVER 2M BLACK STRUC |
| 13410809 | PISTA TRACK 48V COVER 1M WHITE STRUC |
| 13410632 | PISTA TRACK 48V COVER 1M BLACK STRUC |
| 13418332 | PISTA TRACK 48V ELECTRICAL/MECHANICAL (SURFACE/SUSPENSION) CONNECTION RECESSED FLANGE (FLANGE) CONNECTION 90° OUTSIDE |
| 13418309 | PISTA TRACK 48V ELECTRICAL/MECHANICAL (SURFACE/SUSPENSION) CONNECTION RECESSED FLANGE (FLANGE) CONNECTION 90° INSIDE |
| 13419609 | PISTA TRACK 48V ELECTRICAL/MECHANICAL (RECESSED FLANGE) CONNECTION 90° OUTSIDE |
| 13419632 | PISTA TRACK 48V ELECTRICAL/MECHANICAL (RECESSED FLANGE) CONNECTION 90° INSIDE |
| 13419509 | PISTA TRACK 48V ELECTRICAL/MECHANICAL (RECESSED FLANGE) CONNECTION 90° INSIDE |
| 13419532 | PISTA TRACK 48V ELECTRICAL/MECHANICAL (UP/DOWN) CONNECTION 90° WHITE STRUC |
| 12360332 | PISTA TRACK 48V ELECTRICAL/MECHANICAL (UP/DOWN) CONNECTION 90° BLACK STRUC |
| 13418709 | PISTA TRACK 48V ELECTRICAL/MECHANICAL (SUSPENSION) CONNECTION 90° OUTSIDE |
| 13418732 | PISTA TRACK 48V ELECTRICAL/MECHANICAL (SUSPENSION) CONNECTION 90° INSIDE WHITE |
| 13418809 | PISTA TRACK 48V ELECTRICAL/MECHANICAL (SUSPENSION) CONNECTION 90° INSIDE BLACK |
| 13418632 | PISTA TRACK 48V ELECTRICAL/MECHANICAL (SURFACE) CONNECTION 90° OUTSIDE BLACK |
| 13418232 | PISTA TRACK 48V ELECTRICAL/MECHANICAL (SURFACE) CONNECTION 90° OUTSIDE BLACK STRUC |

ACCESSORIES

TRACK48V

| | |
|----------|------------------------------------------------------------------------------|
| 13418209 | PISTA TRACK 48V ELECTRICAL/MECHANICAL (SURFACE) CONNECTION 90° OUTSIDE WHITE |
| 13418132 | PISTA TRACK 48V ELECTRICAL/MECHANICAL (SURFACE) CONNECTION 90° INSIDE BLACK |
| 13418109 | PISTA TRACK 48V ELECTRICAL/MECHANICAL (SURFACE) CONNECTION 90° INSIDE WHITE |
| 12360509 | PISTA TRACK 48V ELECTRICAL/MECHANICAL (UP/DOWN) CONNECTION 180° WHITE STRUC |
| 12360532 | PISTA TRACK 48V ELECTRICAL/MECHANICAL (UP/DOWN) CONNECTION 180° BLACK STRUC |
| 13419009 | PISTA TRACK 48V ELECTRICAL/MECHANICAL (SUSPENSION) CONNECTION 180° WHSTR |
| 13419032 | PISTA TRACK 48V ELECTRICAL/MECHANICAL (SUSPENSION) CONNECTION 180° BLSTR |
| 13411309 | PISTA TRACK 48V ELECTRICAL (SURFACE) CONNECTION 180° WHITE STRUC |
| 13411332 | PISTA TRACK 48V ELECTRICAL (SURFACE) CONNECTION 180° BLACK STRUC |
| 13419409 | PISTA TRACK 48V RECESSED (FLANGE) ENDPLATES (2) WHITE STRUC |
| 13419432 | PISTA TRACK 48V RECESSED (FLANGE) ENDPLATES (2) BLACK STRUC |
| 13411132 | PISTA TRACK 48V REC ENDPLATE (2) BLACK STRUC |
| 12360609 | PISTA TRACK 48V UP/DOWN ENDPLATES (2) WHITE STRUC |
| 12360632 | PISTA TRACK 48V UP/DOWN ENDPLATES (2) BLACK STRUC |
| 13411009 | PISTA TRACK 48V SURFACE ENDPLATE (2) WHITE STRUC |
| 13411032 | PISTA TRACK 48V SURFACE ENDPLATE (2) BLACK STRUC |
| 12360709 | PISTA TRACK 48V UP/DOWN SUSPENSION CABLE 4M WHITE STRUC |
| 12360732 | PISTA TRACK 48V UP/DOWN SUSPENSION CABLE 4M BLACK STRUC |
| 13411809 | PISTA TRACK 48V TWIN BRACKET WHITE STRUC |
| 13411832 | PISTA TRACK 48V TWIN BRACKET BLACK STRUC |
| 13411709 | PISTA TRACK 48V TWIN SUSPENSION CABLE 4M WHITE STRUC |
| 13411732 | PISTA TRACK 48V TWIN SUSPENSION CABLE 4M BLACK STRUC |
| 13411409 | PISTA TRACK 48V SUSPENSION CABLE 4M WHITE STRUC |
| 13411432 | PISTA TRACK 48V SUSPENSION CABLE 4M BLACK STRUC |
| 13410909 | PISTA TRACK 48V POWER FEED RIGHT WHITE STRUC |
| 13410932 | PISTA TRACK 48V POWER FEED RIGHT BLACK STRUC |
| 13410809 | PISTA TRACK 48V POWER FEED LEFT WHITE STRUC |
| 13410832 | PISTA TRACK 48V POWER FEED LEFT BLACK STRUC |
| 13411509 | PISTA TRACK 48V POWER FEED CABLE 2M 4X1.5MM² BLACK + CONNECTION BOX WHITE |
| 13411532 | PISTA TRACK 48V POWER FEED CABLE 2M 4X1.5MM² BLACK + CONNECTION BOX BLACK |
| 13419309 | PISTA TRACK 48V RECESSED (FLANGE) PROFILE 3M WHITE STRUC |
| 13419332 | PISTA TRACK 48V RECESSED (FLANGE) PROFILE 3M BLACK STRUC |
| 13419209 | PISTA TRACK 48V RECESSED (FLANGE) PROFILE 2M WHITE STRUC |
| 13419232 | PISTA TRACK 48V RECESSED (FLANGE) PROFILE 2M BLACK STRUC |
| 13419109 | PISTA TRACK 48V RECESSED (FLANGE) PROFILE 1M WHITE STRUC |
| 13419132 | PISTA TRACK 48V RECESSED (FLANGE) PROFILE 1M BLACK STRUC |



PISTA MARBUL MARBUL TRACK 48V 1X LED WARM DIM DALI GI

REQUIRED PARTS

REFLECTOR-MAGNETIC

| | |
|----------|---------------------------------------------------|
| 10219330 | MAGNETIC REFLECTOR Ø82 LED WARM DIM 25° ALU |
| 10219430 | MAGNETIC REFLECTOR Ø82 LED WARM DIM 40° ALU |
| 10219630 | MAGNETIC REFLECTOR Ø82 LED WARM DIM 40° GOLD |
| 10219830 | MAGNETIC REFLECTOR Ø82 LED WARM DIM 40° CHAMPAGNE |