



WEVER & DUCRÉ
LIGHTING

DRO 1.0

1724G0WB

Project
Type
Notes
Quantity
Date

GENERAL

Ceiling
 Track
 Jet Black + White Opal Glass
 IP20
 Interior
 280 lm

LED

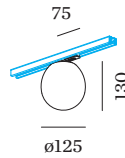
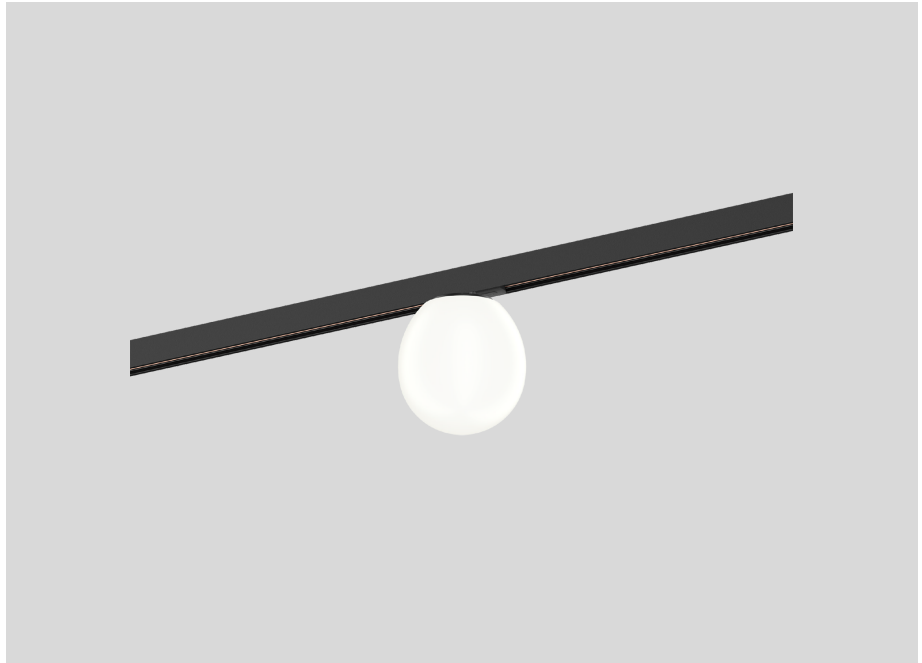
Lamp QT14
 G9
 Socket G9
 max. 5 W

PHYSICAL

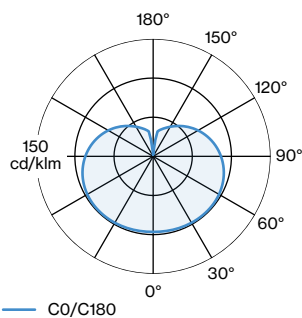
Diameter 125 mm
 Height 130 mm
 0.6 kg
 75 (adapter)mm

ELECTRICAL

220 - 240 V
 Total connected power 3.1 W
 PC1



LIGHT DISTRIBUTION



[1724G0WB] The technical data represent rated values for an ambient temperature of 25°C. The data values for the luminous flux are initially subject to a tolerance of +/- 10%, those for the electrical connected load are initially subject to a tolerance of +/- 10%, and those for the colour temperature are initially subject to a tolerance of +/- 150 K. No liability is assumed for typographical or printing errors. The general terms and conditions of Wever & Ducré BVBA apply.
 © Wever & Ducré BVBA · Spinnerijstraat 99/21 · 8500 Kortrijk · Belgium · www.weverducre.com



WEVER & DUCRÉ
LIGHTING

DRO 1.0

1724G0WB

LED LAMPS

QT14 LED Lamp

TYPE	Ø-H (MM)	ORDERCODE
3000K G9	ø17-52	9 0 1 9 G 7 0 3
2700K G9	ø14-43	9 0 1 9 G 7 0 5

Electrical

Track Profile 1m

TYPE	COLOUR	L · W · H (MM)	ORDERCODE
1-phase track surface/suspended	Signal White	1000-30-20	9 0 0 1 4 0 0 1
1-phase track surface/suspended	Jet Black	1000-30-20	9 0 0 1 4 0 0 7
1-phase track recessed	Signal White	1000-50-20	9 0 0 1 4 1 1 8
1-phase track recessed	Jet Black	1000-50-20	9 0 0 1 4 1 1 9

Track Profile 2m

TYPE	COLOUR	L · W · H (MM)	ORDERCODE
1-phase track surface/suspended	Signal White	2000-30-20	9 0 0 1 4 0 0 2
1-phase track surface/suspended	Jet Black	2000-30-20	9 0 0 1 4 0 0 8
1-phase track recessed	Signal White	2000-50-20	9 0 0 1 4 1 2 0
1-phase track recessed	Jet Black	2000-50-20	9 0 0 1 4 1 2 1

Track Profile 3m

TYPE	COLOUR	L · W · H (MM)	ORDERCODE
1-phase track surface/suspended	Signal White	3000-30-20	9 0 0 1 4 0 0 3
1-phase track surface/suspended	Jet Black	3000-30-20	9 0 0 1 4 0 0 9
1-phase track recessed	Signal White	3000-50-20	9 0 0 1 4 1 2 2
1-phase track recessed	Jet Black	3000-50-20	9 0 0 1 4 1 2 3

T-Connector

TYPE	COLOUR	ORDERCODE
1-phase track AA-A	Pure White	9 0 0 1 4 0 1 0
1-phase track AA-A	Signal Black	9 0 0 1 4 0 1 1
1-phase track BB-B	Pure White	9 0 0 1 4 0 1 2
1-phase track BB-B	Signal Black	9 0 0 1 4 0 1 3
1-phase track BB-A	Pure White	9 0 0 1 4 0 1 4
1-phase track BB-A	Signal Black	9 0 0 1 4 0 1 5
1-phase track AA-B	Pure White	9 0 0 1 4 0 1 6
1-phase track AA-B	Signal Black	9 0 0 1 4 0 1 7

End Feed | left

TYPE	COLOUR	L · W · H (MM)	ORDERCODE
1-phase track	Pure White	88-30-20	9 0 0 1 4 0 1 8
1-phase track	Signal Black	88-30-20	9 0 0 1 4 0 1 9

[1724G0WB] The technical data represent rated values for an ambient temperature of 25°C. The data values for the luminous flux are initially subject to a tolerance of +/- 10%, those for the electrical connected load are initially subject to a tolerance of +/- 10%, and those for the colour temperature are initially subject to a tolerance of +/- 150 K. No liability is assumed for typographical or printing errors. The general terms and conditions of Wever & Ducré BVBA apply.
© Wever & Ducré BVBA · Spinnerijstraat 99/21 · 8500 Kortrijk · Belgium · www.weverducre.com

May 22, 2021



WEVER & DUCRÉ
LIGHTING

DRO 1.0

1724G0WB

End Feed | right

TYPE	COLOUR	L · W · H (MM)	ORDERCODE
1-phase track	Pure White	88-30-20	9 0 0 1 4 0 2 0
1-phase track	Signal Black	88-30-20	9 0 0 1 4 0 2 1

Connector

TYPE	COLOUR	L · H (MM)	ORDERCODE
1-phase track straight	Pure White	65-17	9 0 0 1 4 0 2 2
1-phase track straight	Signal Black	65-17	9 0 0 1 4 0 2 3

L-Connector

TYPE	COLOUR	L · W · H (MM)	ORDERCODE
1-phase track left	Pure White	88-55-20	9 0 0 1 4 0 2 4
1-phase track left	Signal Black	88-55-20	9 0 0 1 4 0 2 5
1-phase track right	Pure White	88-55-20	9 0 0 1 4 0 2 6
1-phase track right	Signal Black	88-55-20	9 0 0 1 4 0 2 7

End Cap

TYPE	COLOUR	L · W · H (MM)	ORDERCODE
1-phase track Left/Right	Pure White	24-30-20	9 0 0 1 4 0 2 8
1-phase track Left/Right	Signal Black	24-30-20	9 0 0 1 4 0 2 9

Middle Feed

TYPE	COLOUR	L · W · H (MM)	ORDERCODE
1-phase track straight	Pure White	145-30-20	9 0 0 1 4 0 3 6
1-phase track straight	Signal Black	145-30-20	9 0 0 1 4 0 3 7

Track Adapter

TYPE	COLOUR	ORDERCODE
1-phase track	Signal Black	9 0 0 1 4 0 4 3
1-phase track	Pure White	9 0 0 1 4 0 4 4
1-phase track	Pure White	9 0 0 1 4 2 7 7
1-phase track	Signal Black	9 0 0 1 4 2 7 8

Mounting Bracket

TYPE	L · W · H (MM)	ORDERCODE
1-phase track recessed	38-37-21	9 0 0 1 4 1 0 0

Suspension Set 1.5m

TYPE	COLOUR	ORDERCODE
1-phase track suspended	Signal White	9 0 0 1 4 1 0 1
1-phase track suspended	Jet Black	9 0 0 1 4 1 0 2

Suspension Set 3.0m

TYPE	COLOUR	ORDERCODE
1-phase track suspended	Signal White	9 0 0 1 4 1 0 3
1-phase track suspended	Jet Black	9 0 0 1 4 1 0 4

[1724G0WB] The technical data represent rated values for an ambient temperature of 25°C. The data values for the luminous flux are initially subject to a tolerance of +/- 10%, those for the electrical connected load are initially subject to a tolerance of +/- 10%, and those for the colour temperature are initially subject to a tolerance of +/- 150 K. No liability is assumed for typographical or printing errors. The general terms and conditions of Wever & Ducré BVBA apply.
© Wever & Ducré BVBA · Spinnerijstraat 99/21 · 8500 Kortrijk · Belgium · www.weverducre.com



WEVER & DUCRÉ
LIGHTING

DRO 1.0

1724G0WB

Coverplate End Feed

TYPE	COLOUR	ORDERCODE
1-phase track recessed	Pure White	9 0 0 1 4 1 2 4
1-phase track recessed	Signal Black	9 0 0 1 4 1 2 5

Coverplate I/L/T/X

TYPE	COLOUR	ORDERCODE
1-phase track recessed	Pure White	9 0 0 1 4 1 2 6
1-phase track recessed	Signal Black	9 0 0 1 4 1 2 7