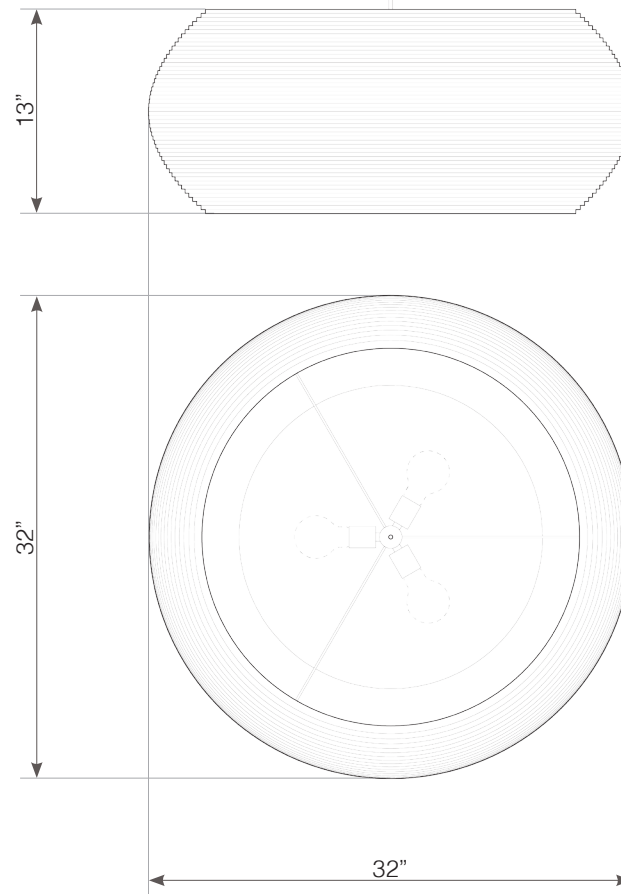




3220 1st ave s #400, seattle, wa 98134 | 206.420.3912  
seattle@graypants.com | graypants.com



# OHIO\_32



3x 100W maximum incandescent A19 E26 (120V)



3x GU24 twist lock sockets available (120V/277V)



2x 42W maximum fluorescent GX24Q (120V/277V)<sup>1</sup>

*Equivalent W dimmable LED bulbs compatible. 2700K color temperature recommended.*



recycled cardboard



proudly designed and made in seattle | usa



responsible handmade quality<sup>2</sup>



nontoxic fire retardant treated<sup>3</sup>



contains tempered glass



contains clear coated, dark steel



compressed air recommended cleaning



use in dry location only



designed to recycle



patent pending



## hardwired cord set + ceiling canopy

*INCLUDES 8' CORD AND POWDER COATED STEEL CANOPY (5" FOR E26/GU24, 8" FOR GX24Q). CORDS AND MATCHING CANOPIES ARE AVAILABLE IN BLACK OR WHITE. CUSTOM CORD LENGTHS ARE AVAILABLE FOR AN ADDITIONAL CHARGE.*

<sup>1</sup> Dimmable option available. Graypants does not offer a warranty for dimming ballasts.

<sup>2</sup> Scraplight shades are non-toxic and are handmade using responsible, low-impact practices. Because all Scraplights are handmade, dimensions may vary slightly.

<sup>3</sup> Scraplight shades are treated with No-Burn® fire retardant. All No-Burn® spray coatings are GREEN with low to zero VOCs, and all carry a Class-A fire rating.